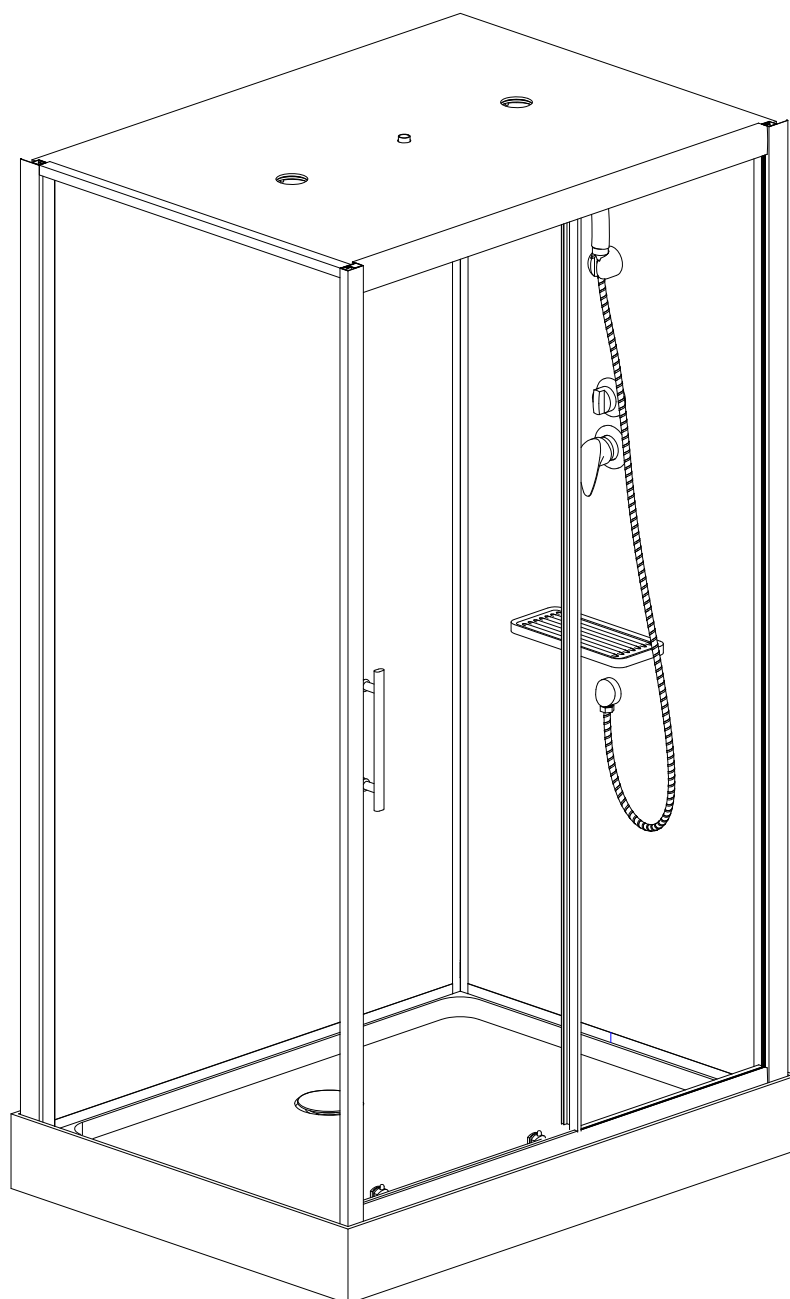
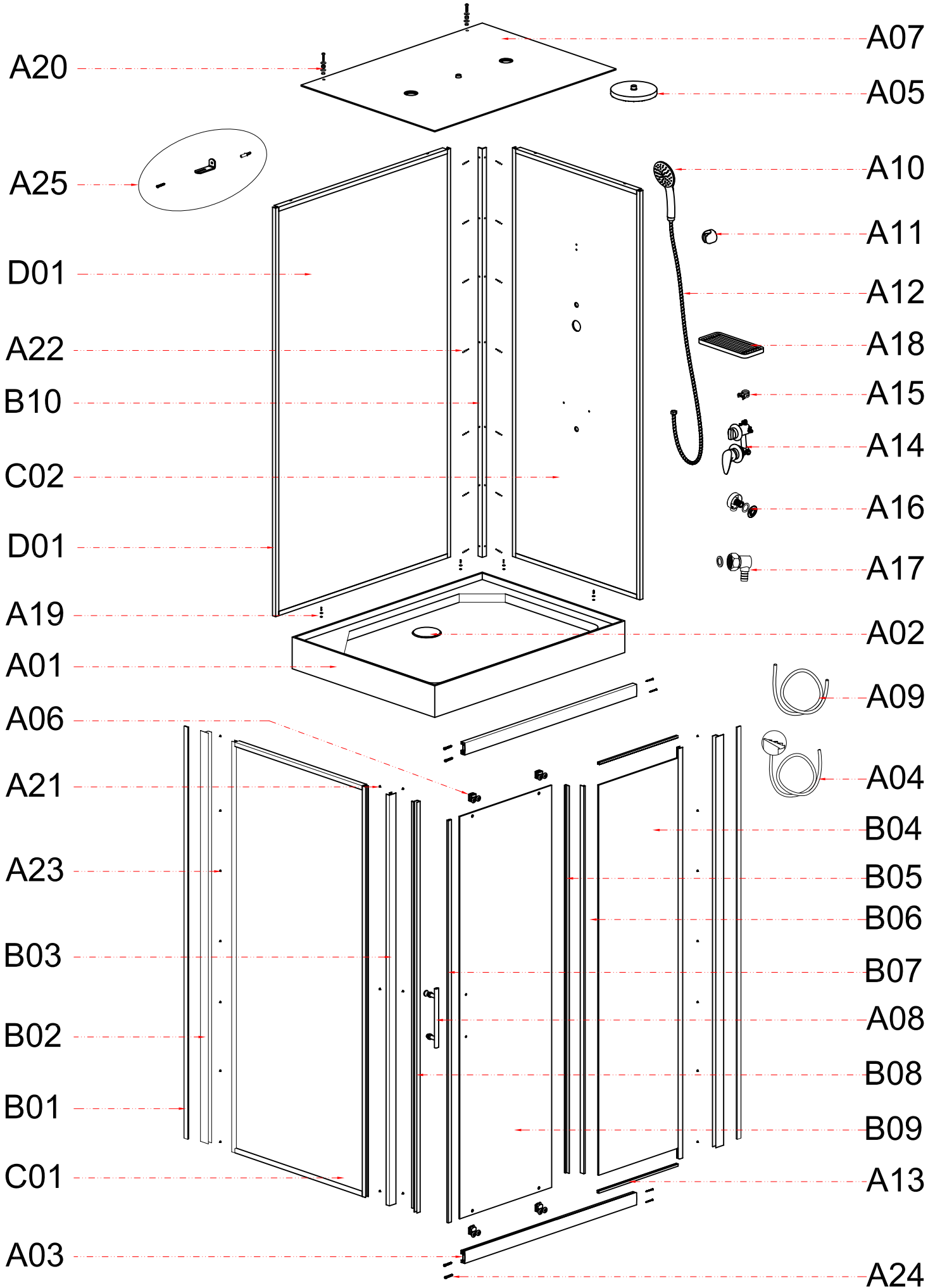
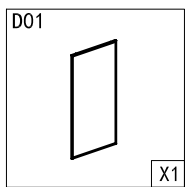
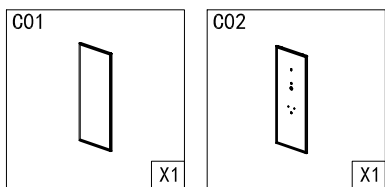
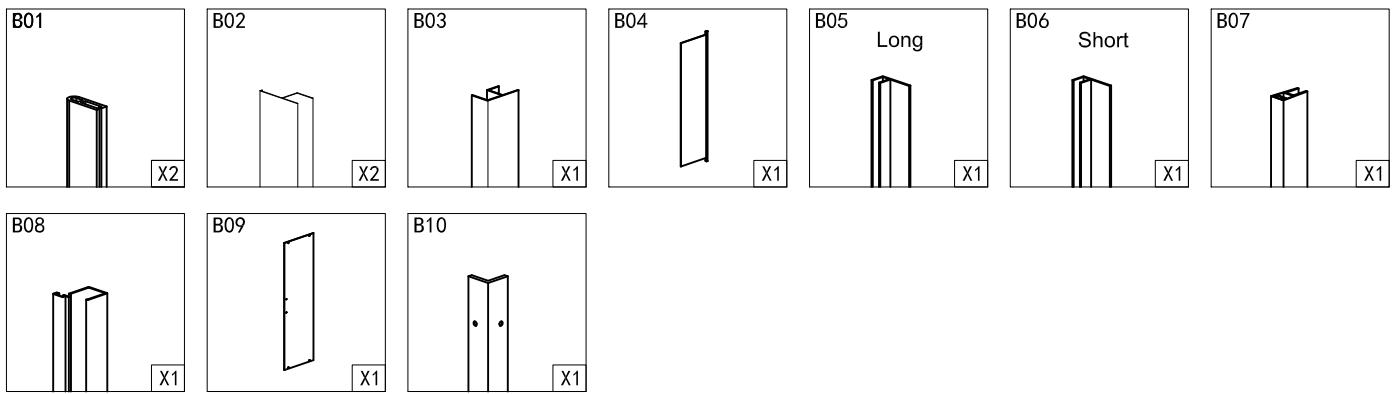
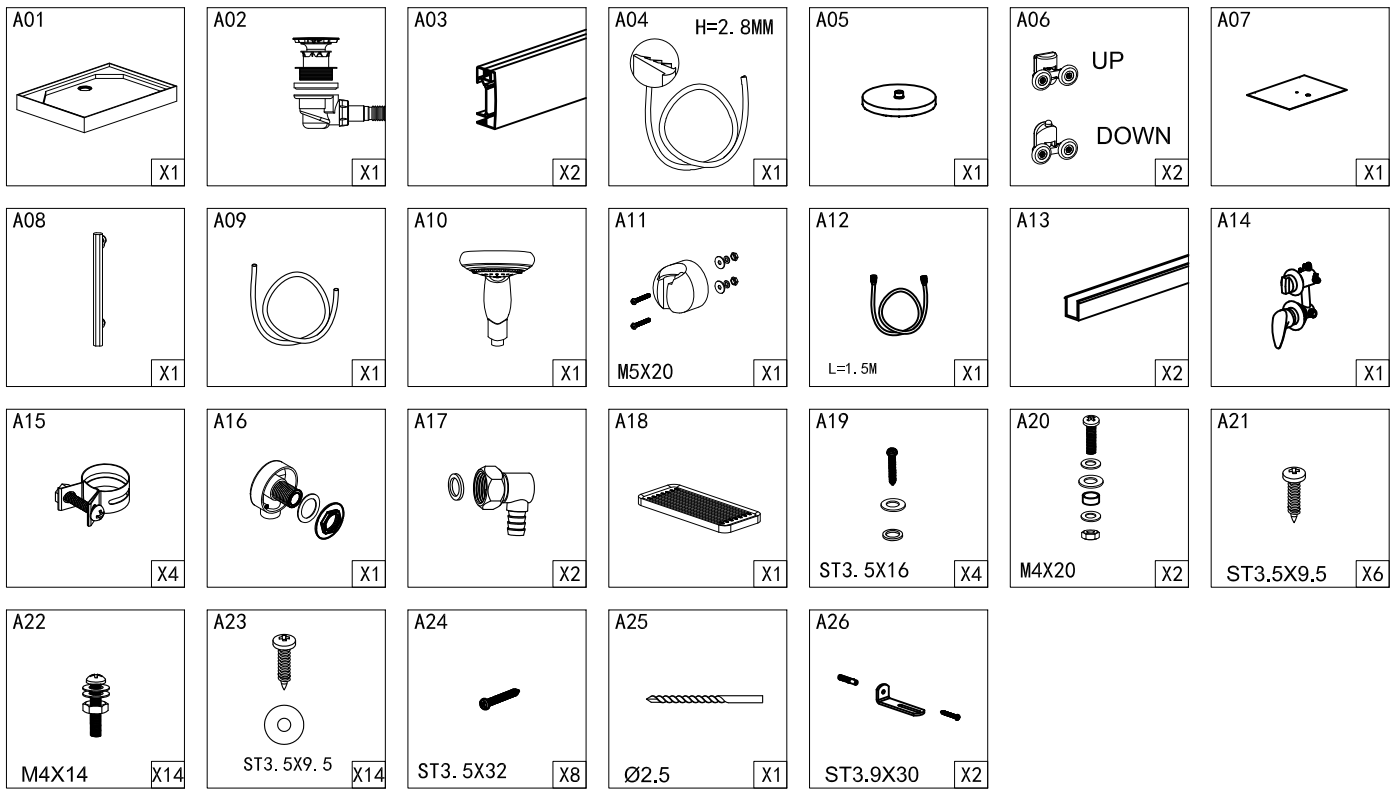
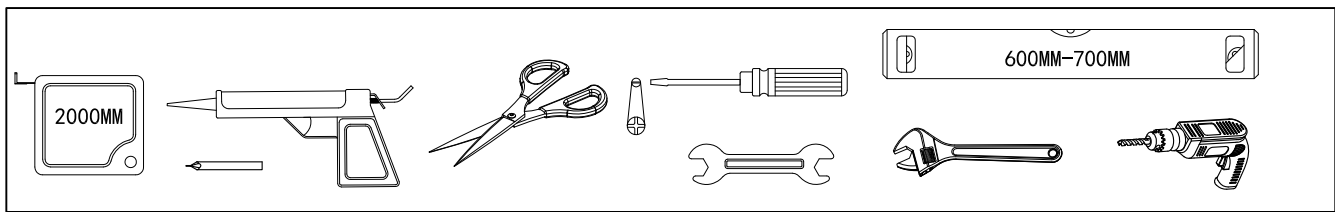
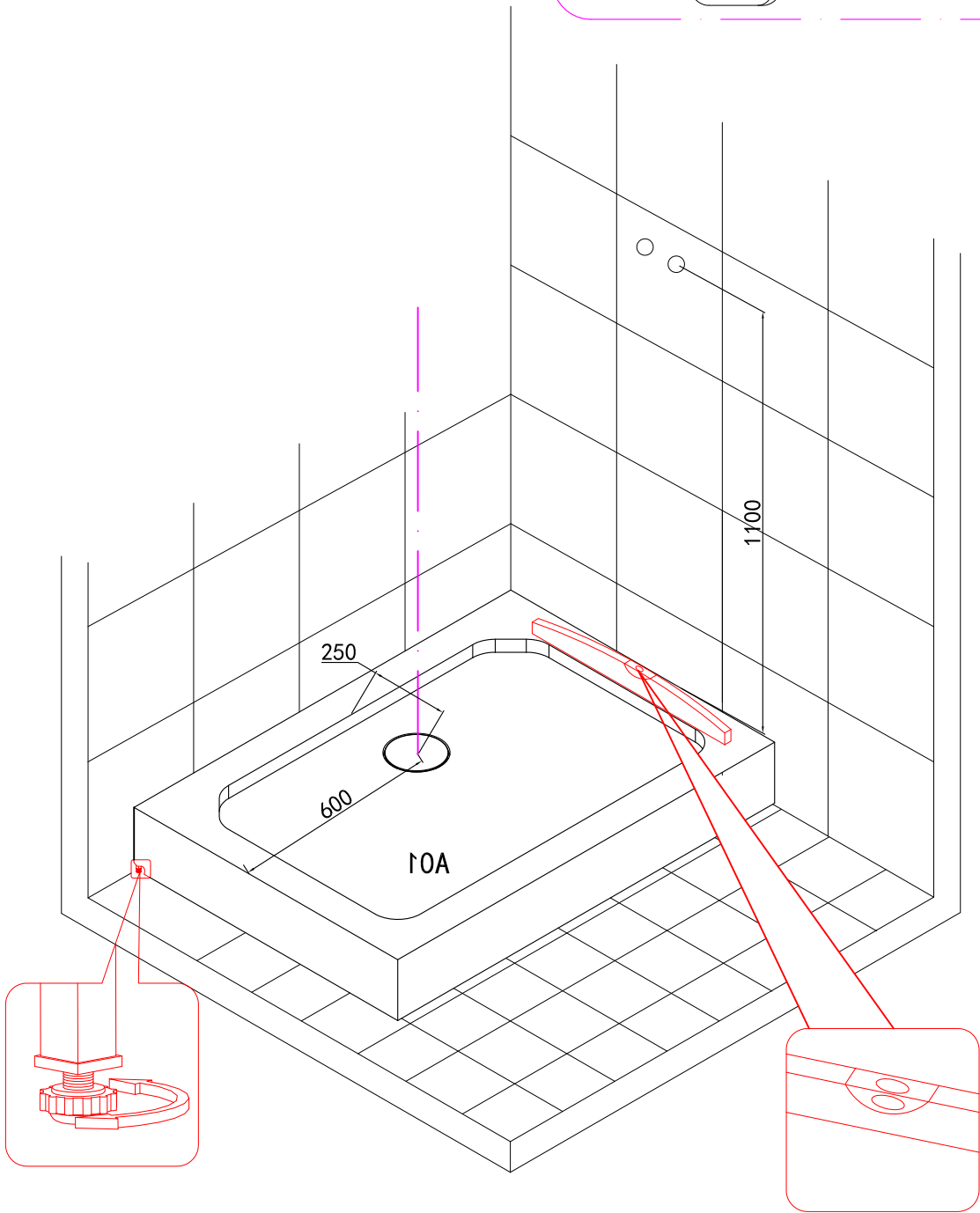
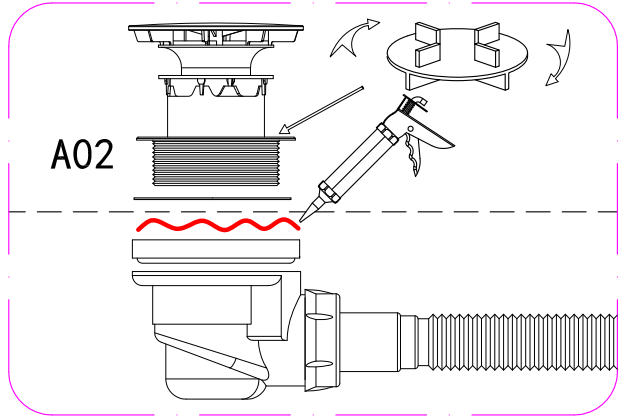
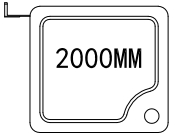
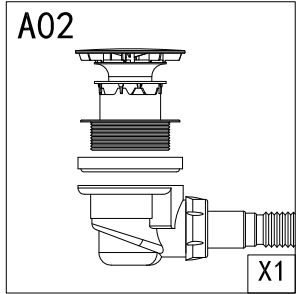
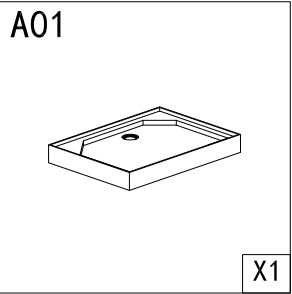


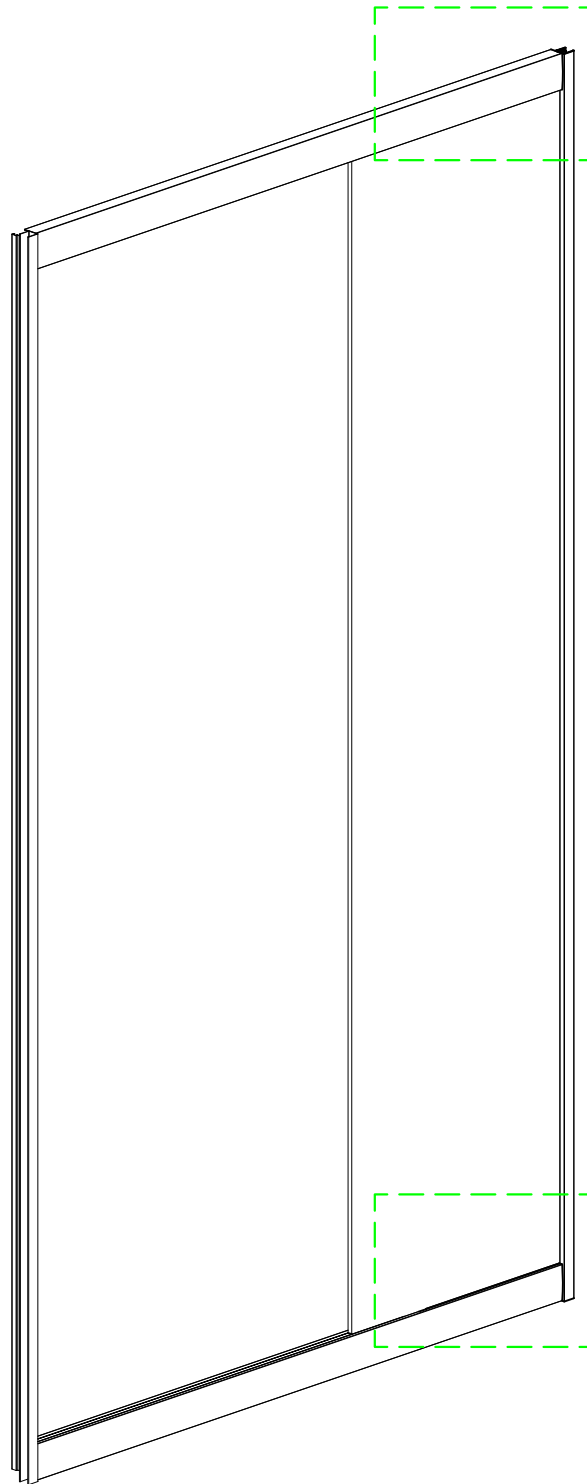
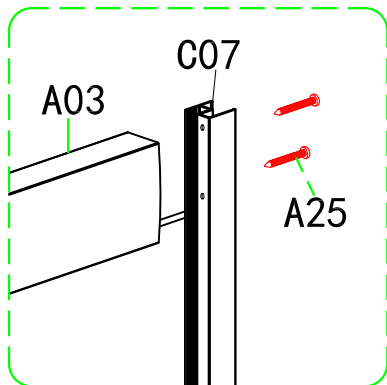
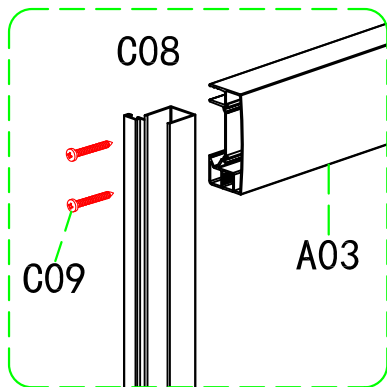
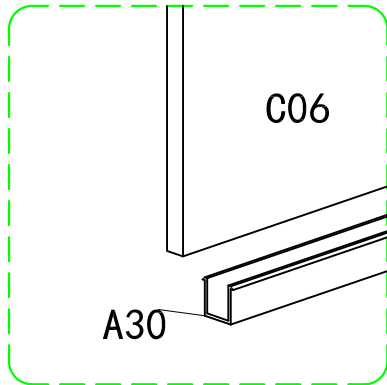
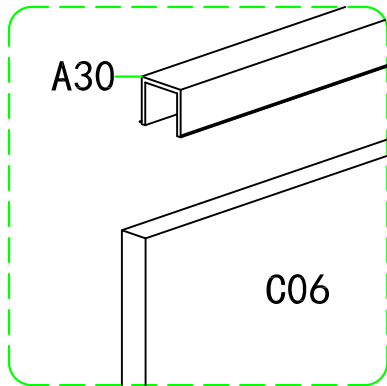
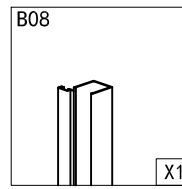
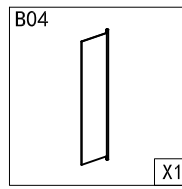
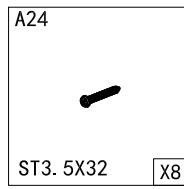
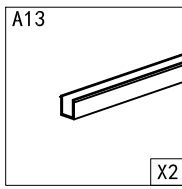
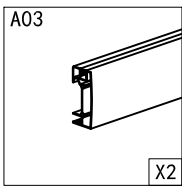
ESB-1180CKR ESB-1280CKR

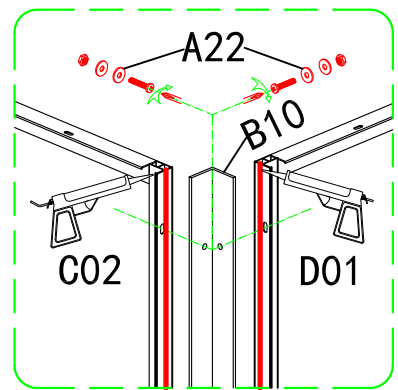
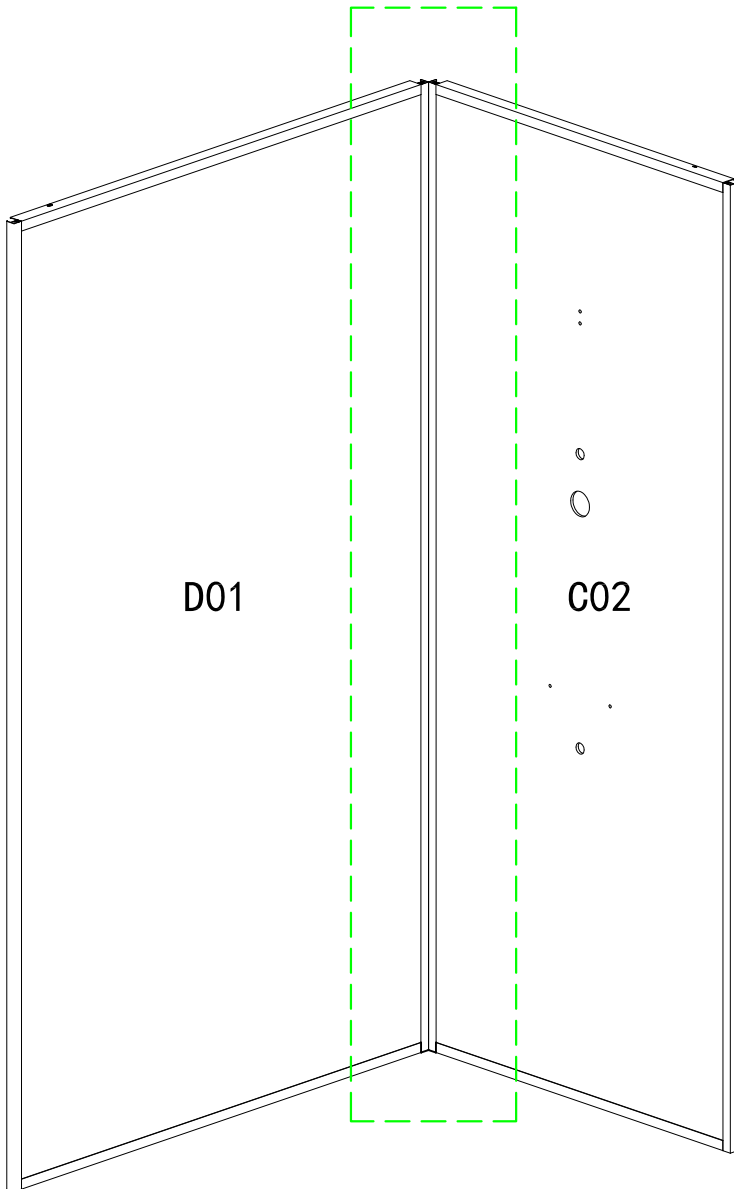
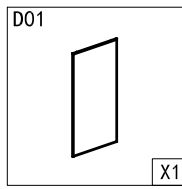
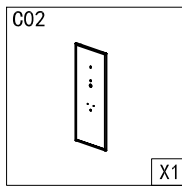
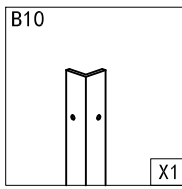
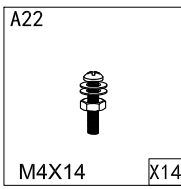


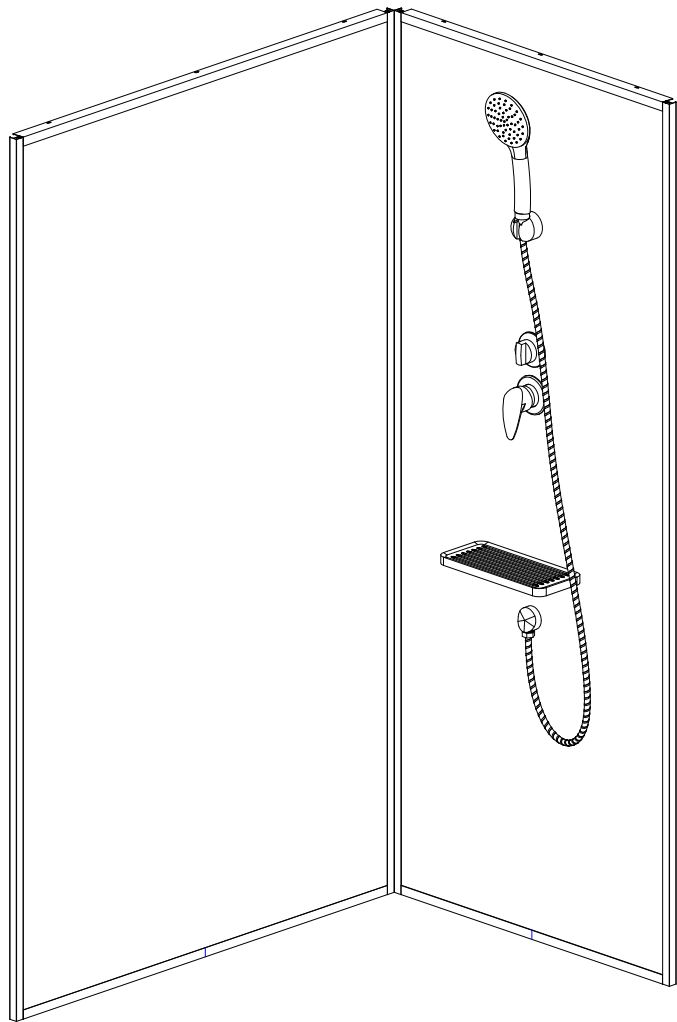
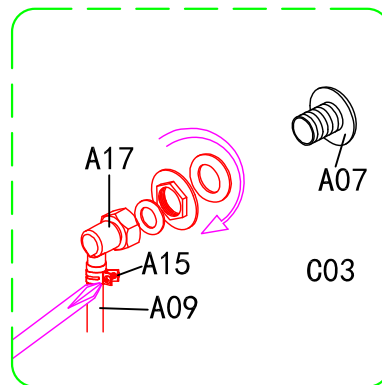
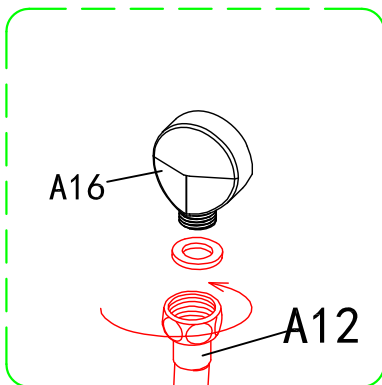
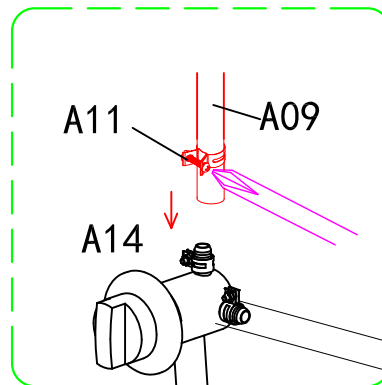
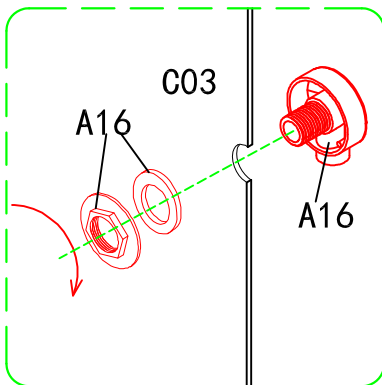
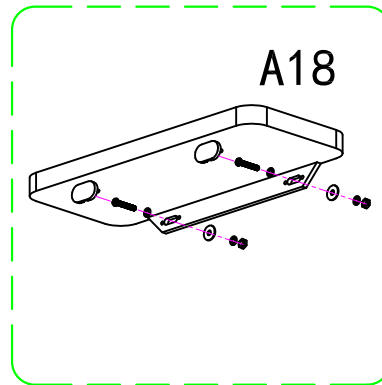
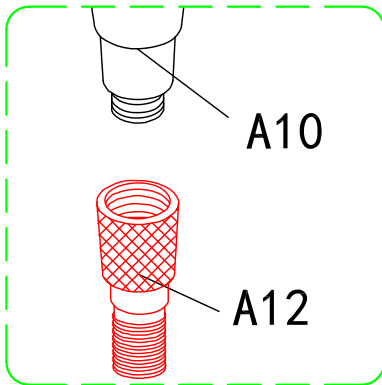
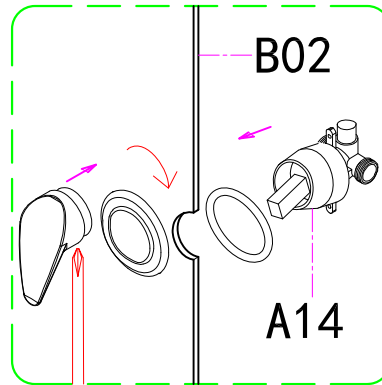
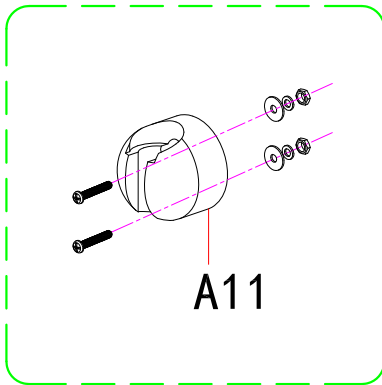
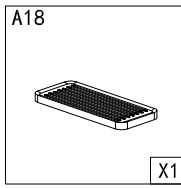
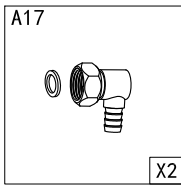
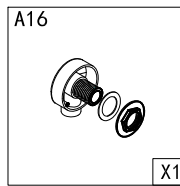
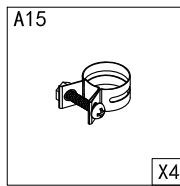
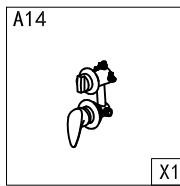
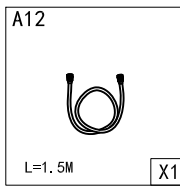
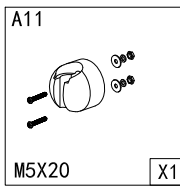
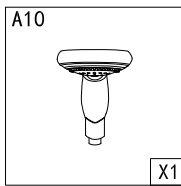
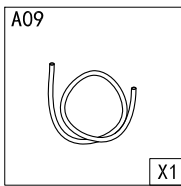


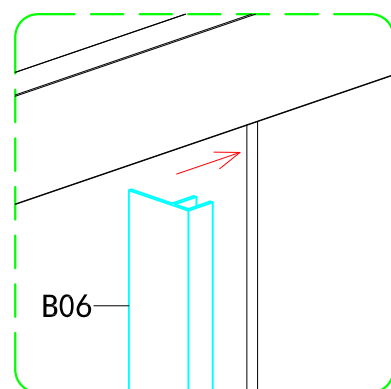
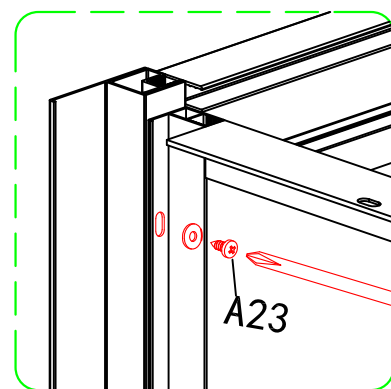
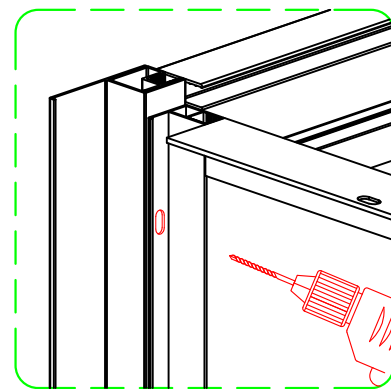
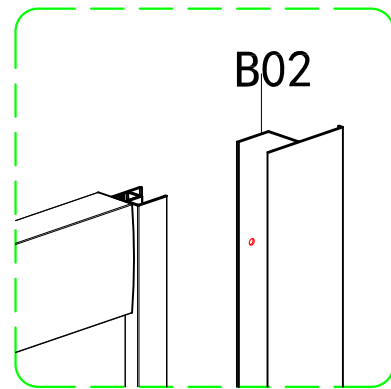
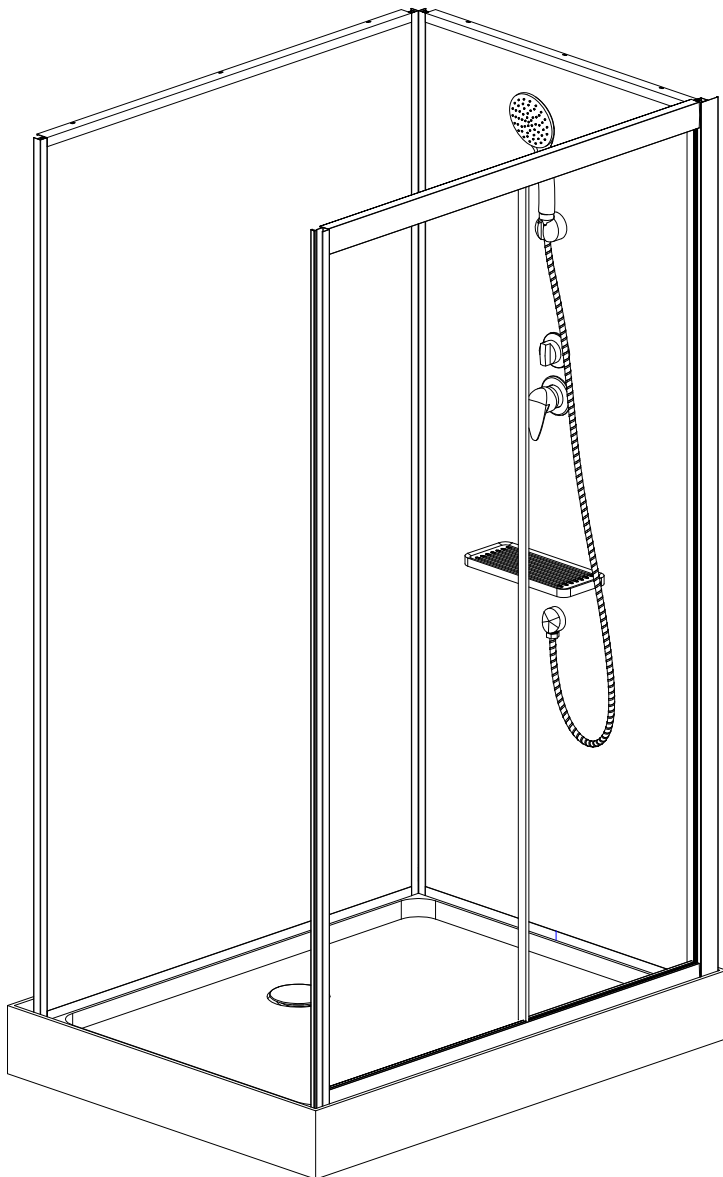
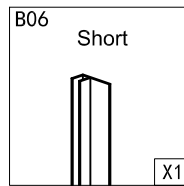
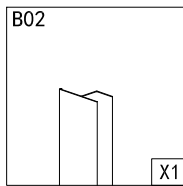
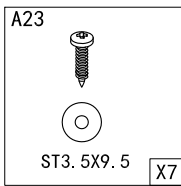


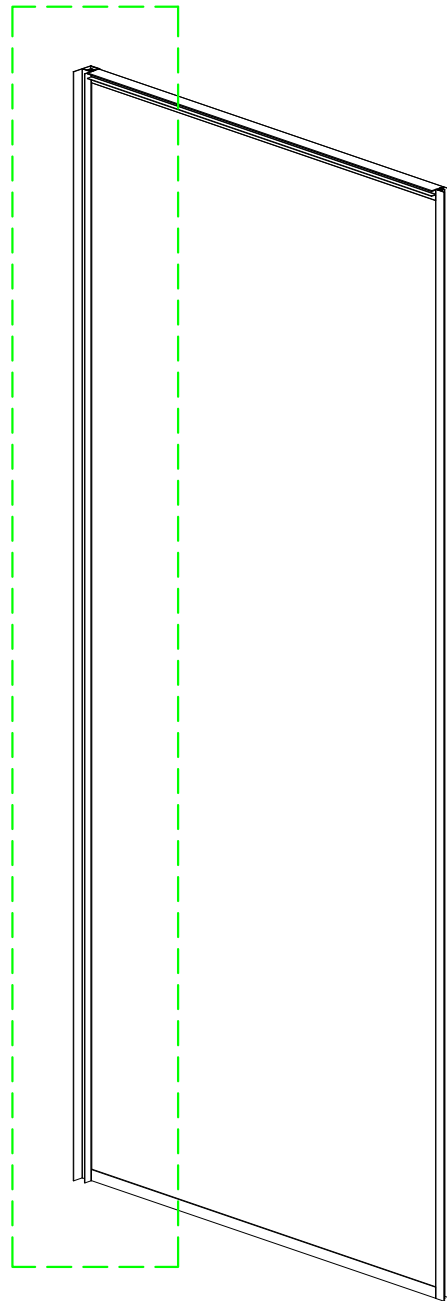
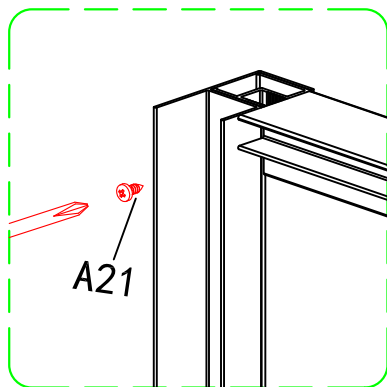
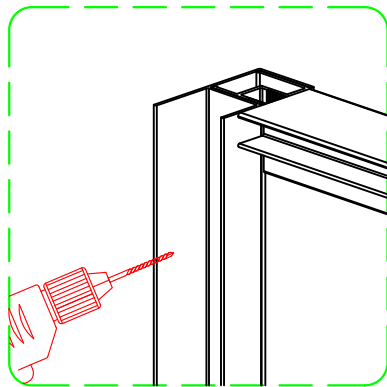
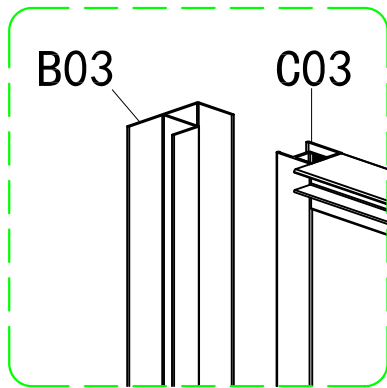
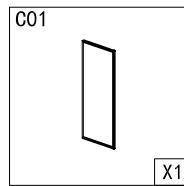
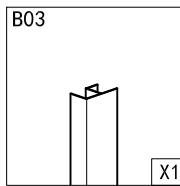
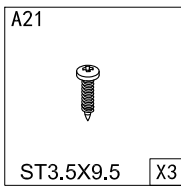


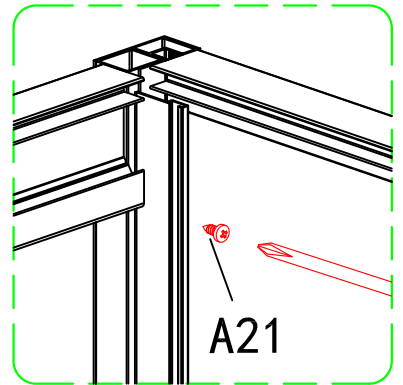
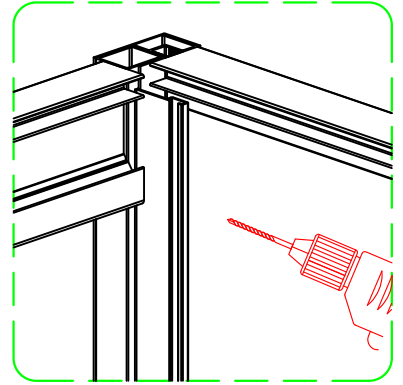
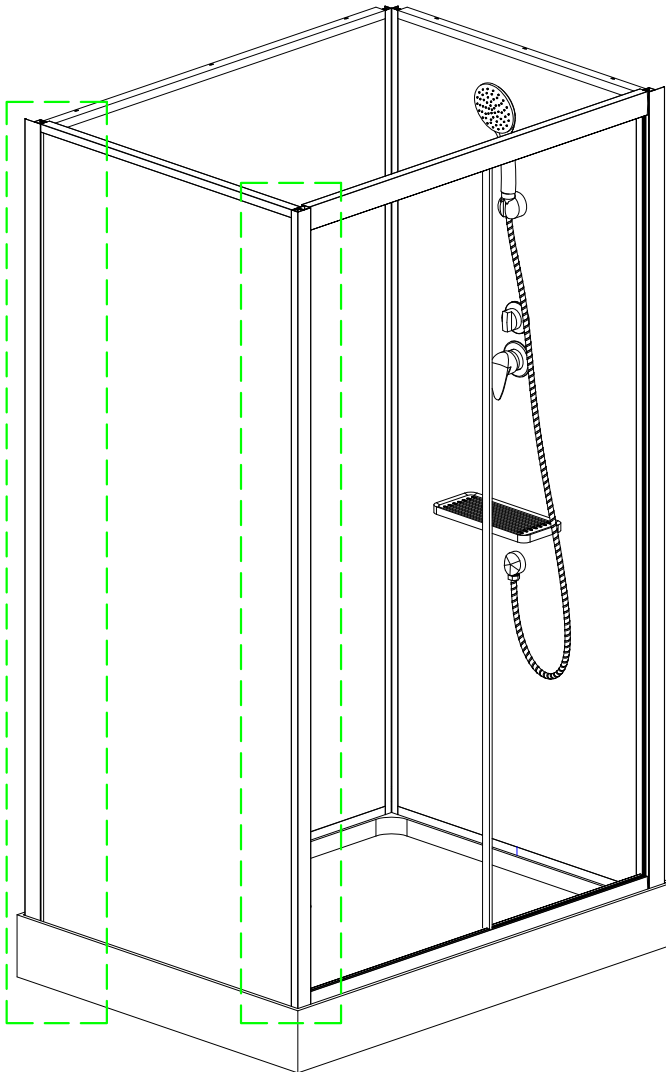
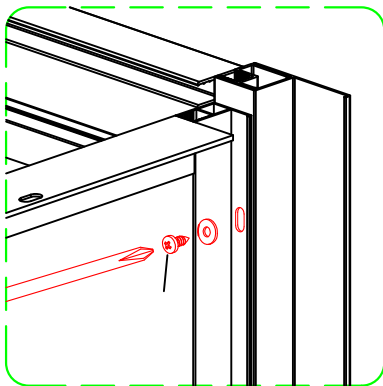
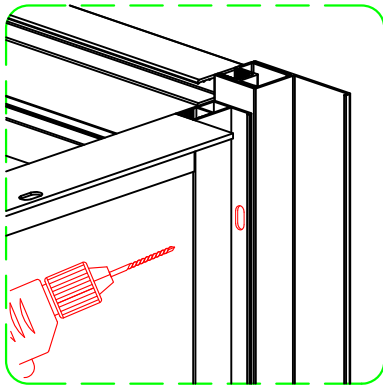
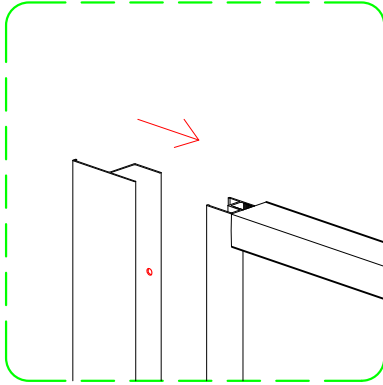
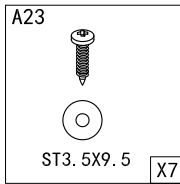
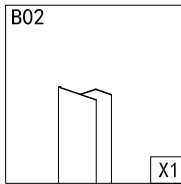
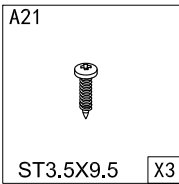


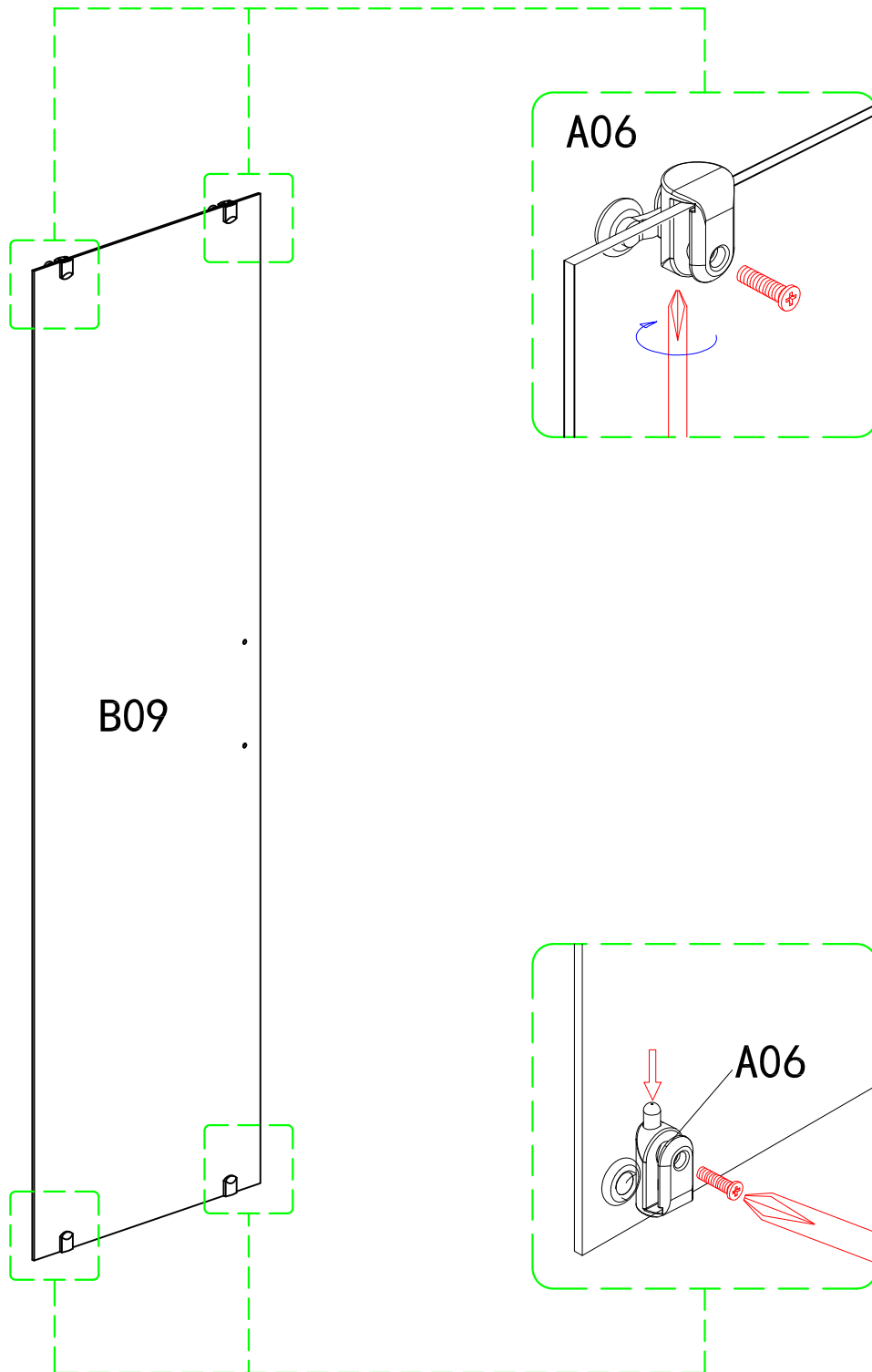
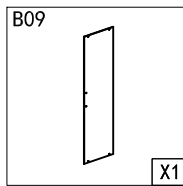
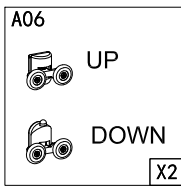


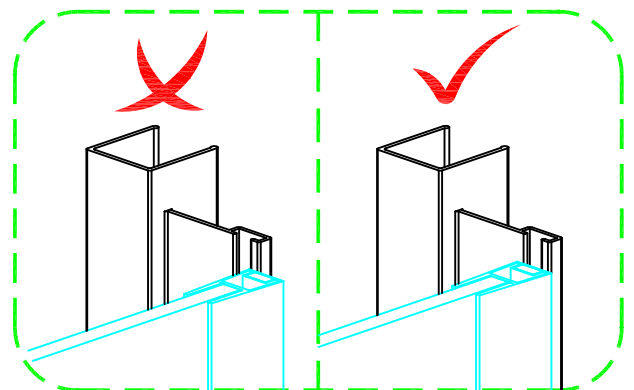
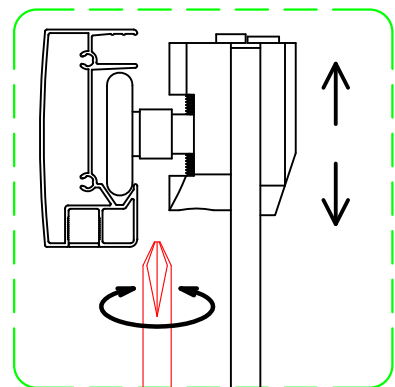
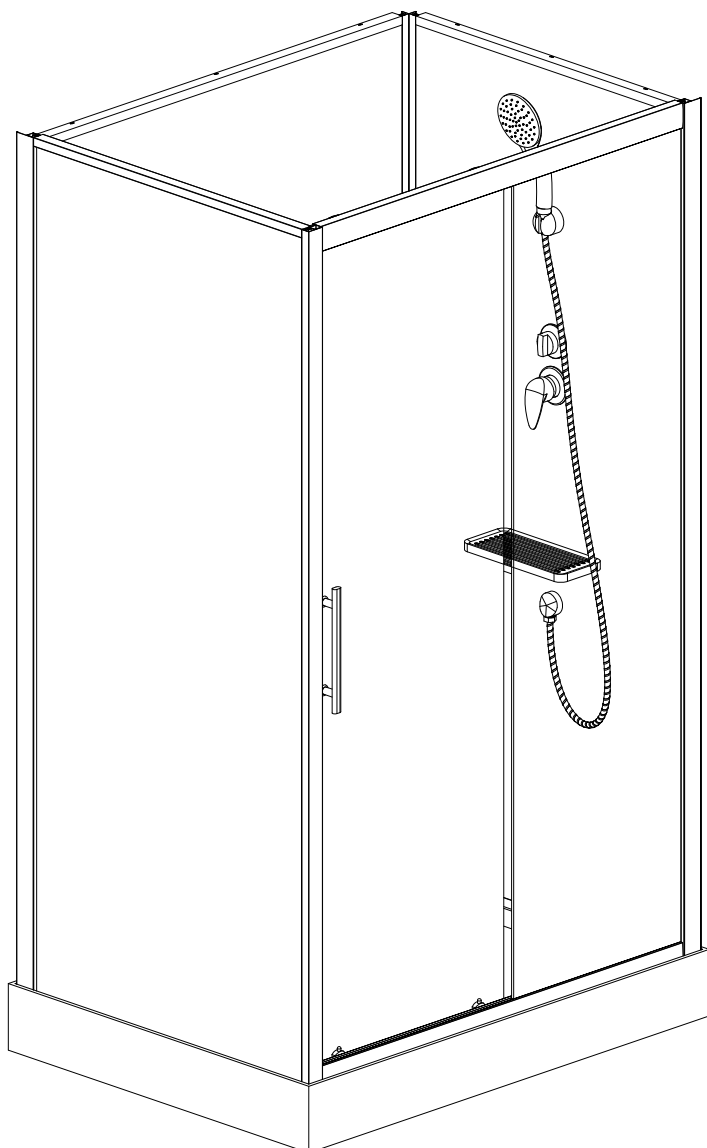
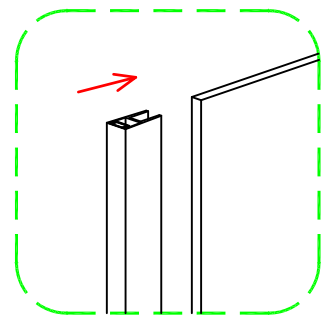
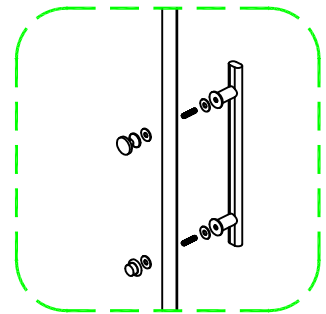
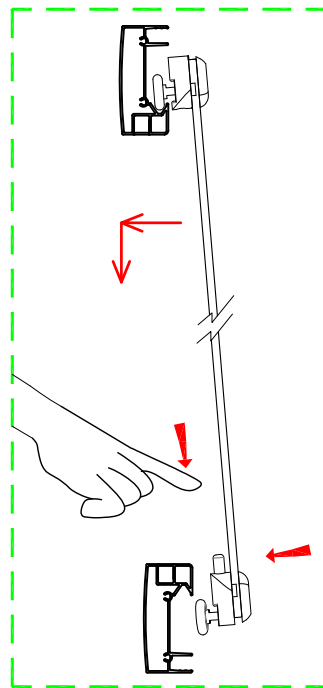
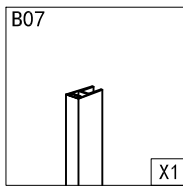
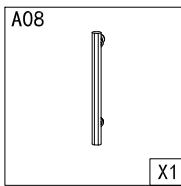


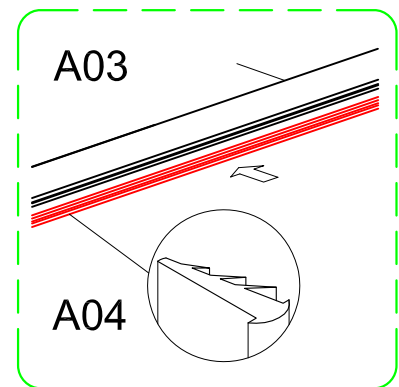
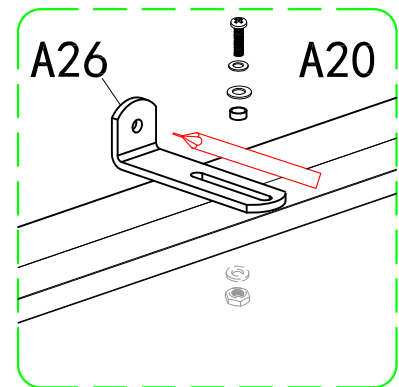
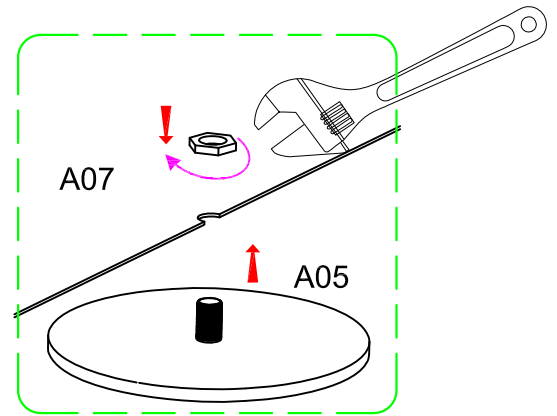
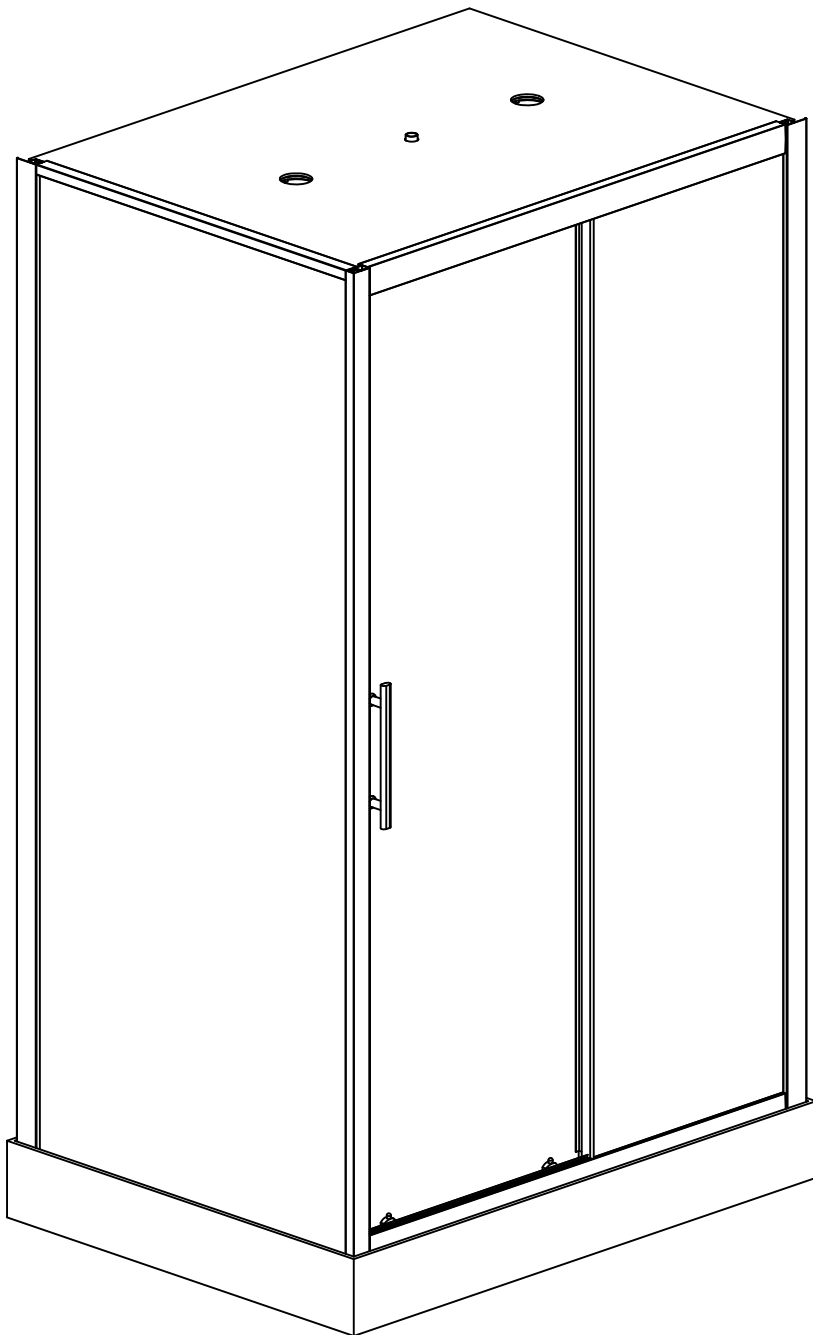
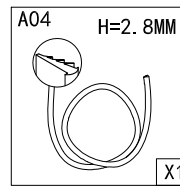
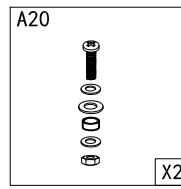
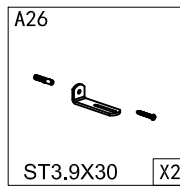
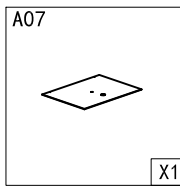
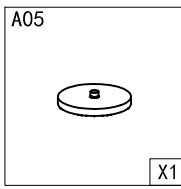


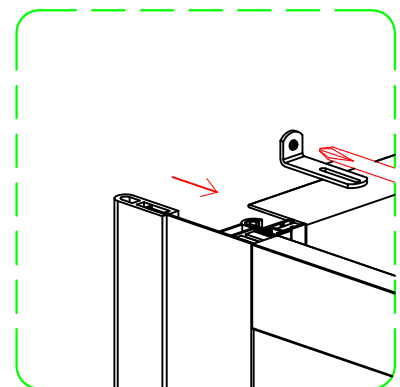
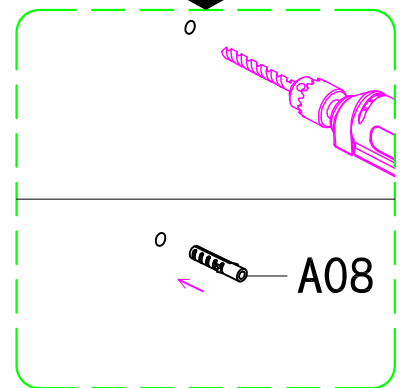
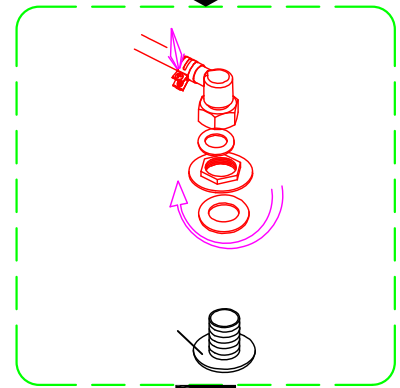
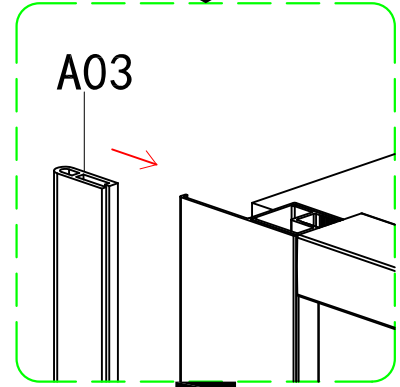
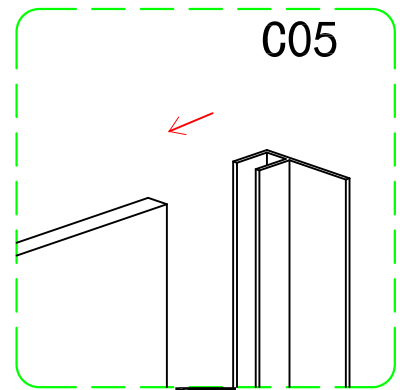
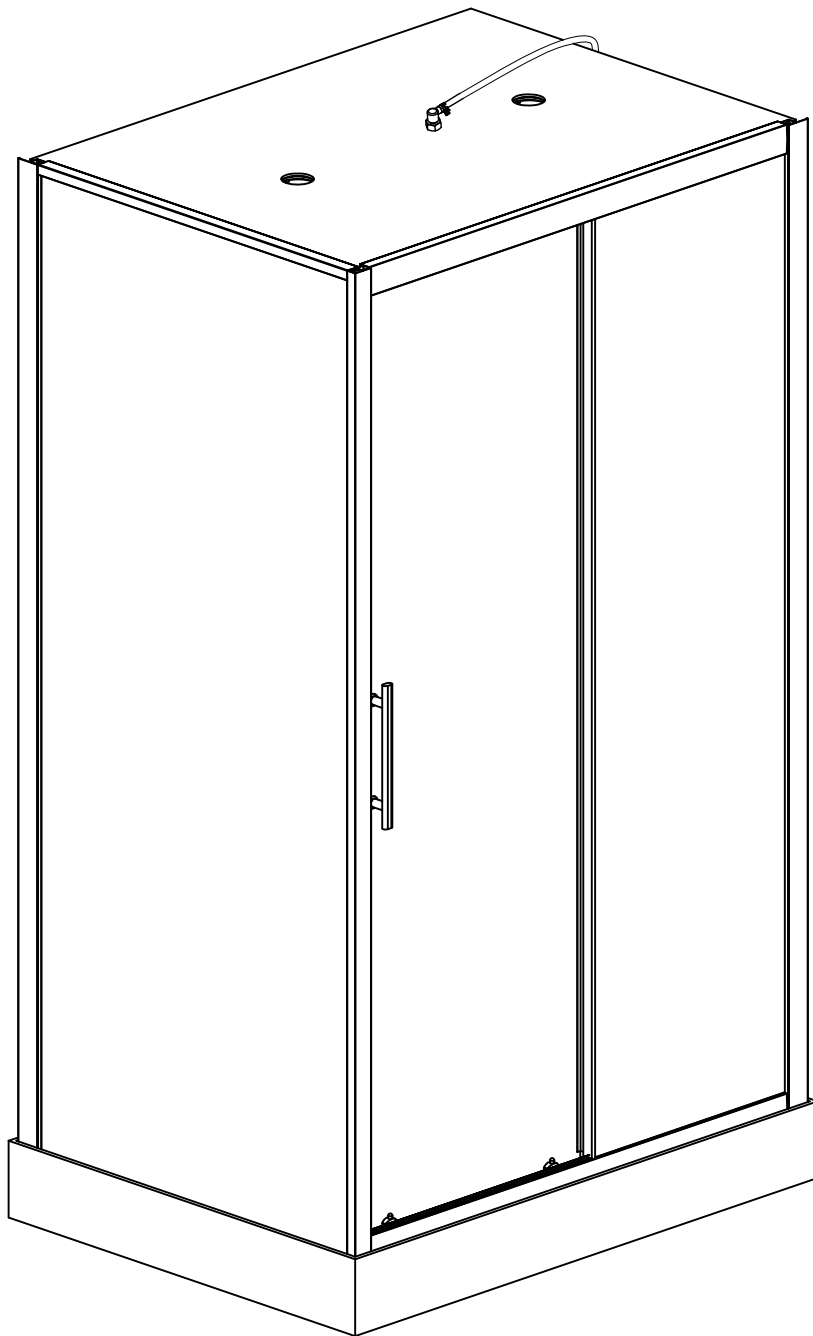
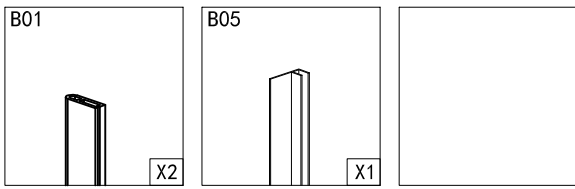








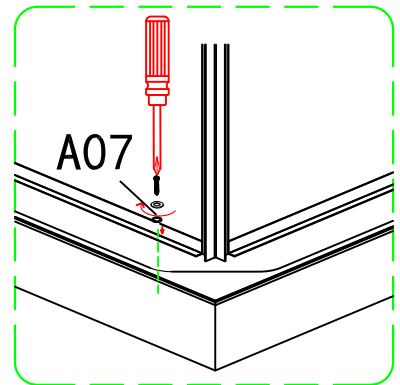
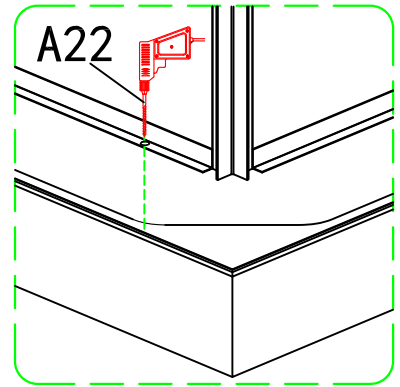
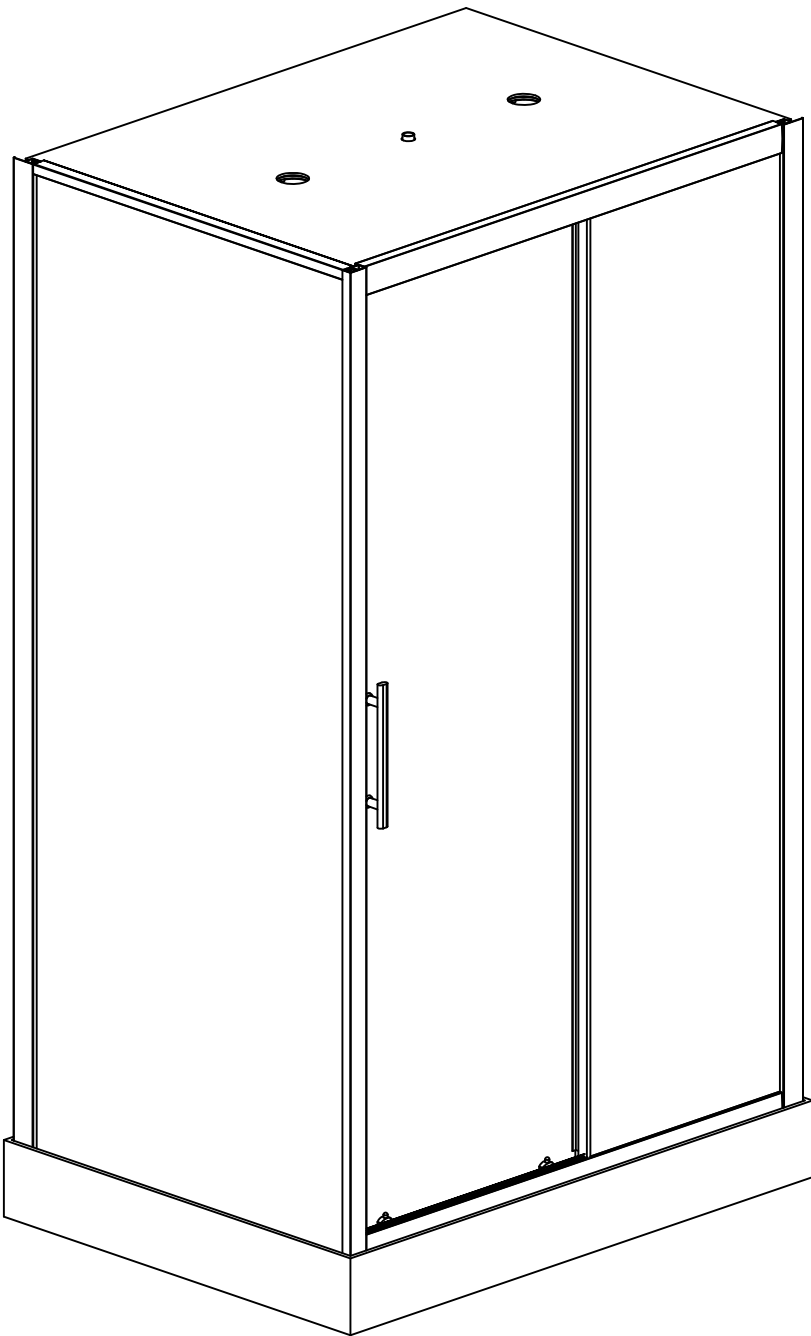


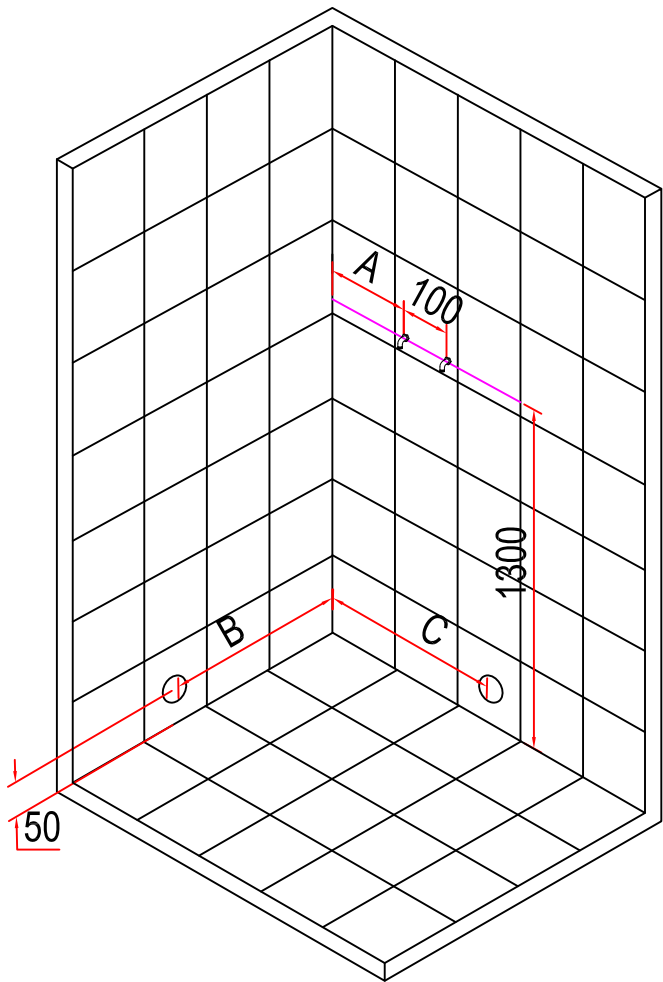


A19

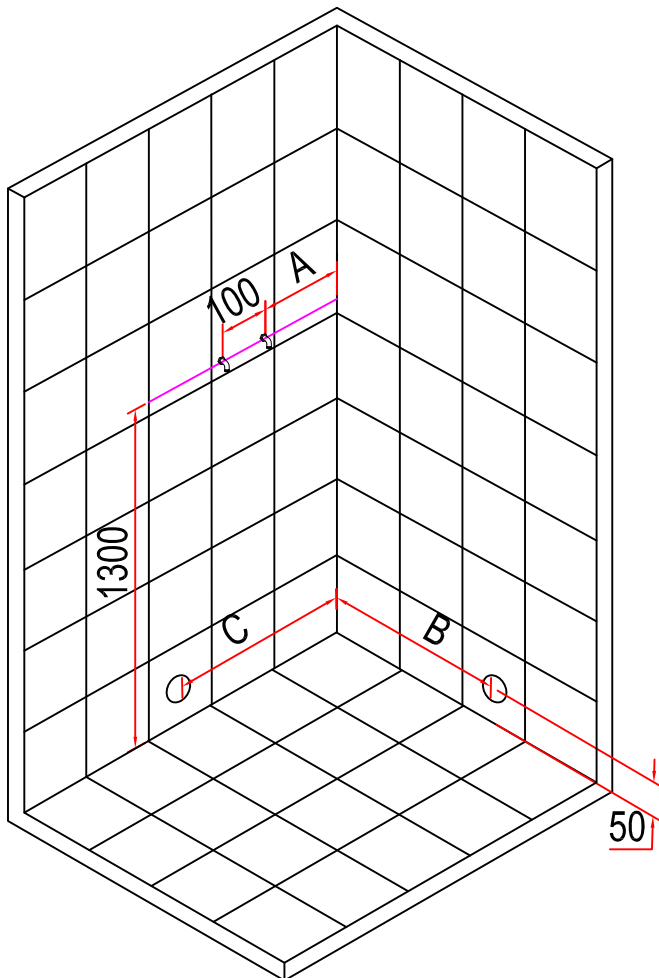


X4





A=350
B=500
C=700



A=350
B=500
C=700