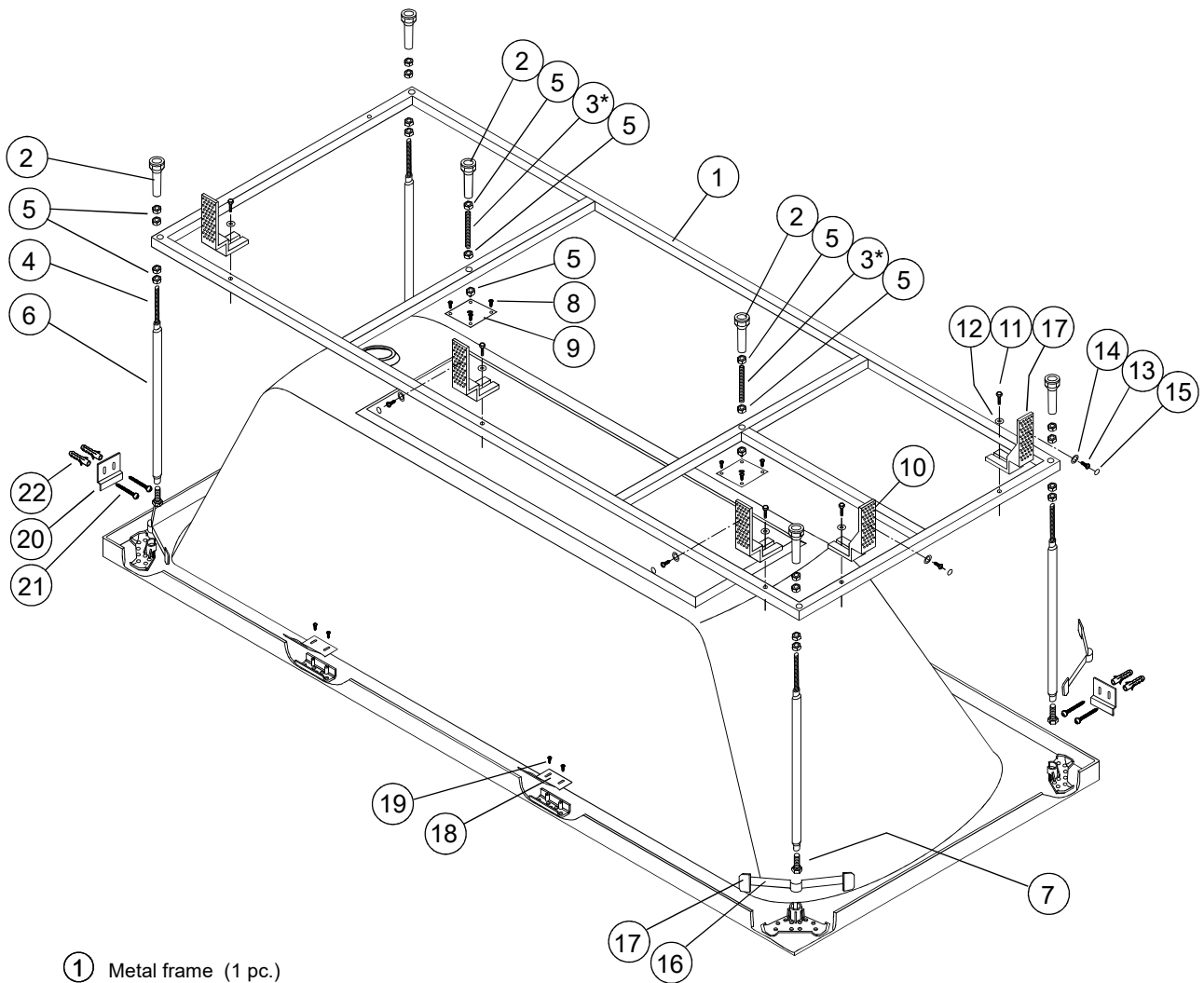
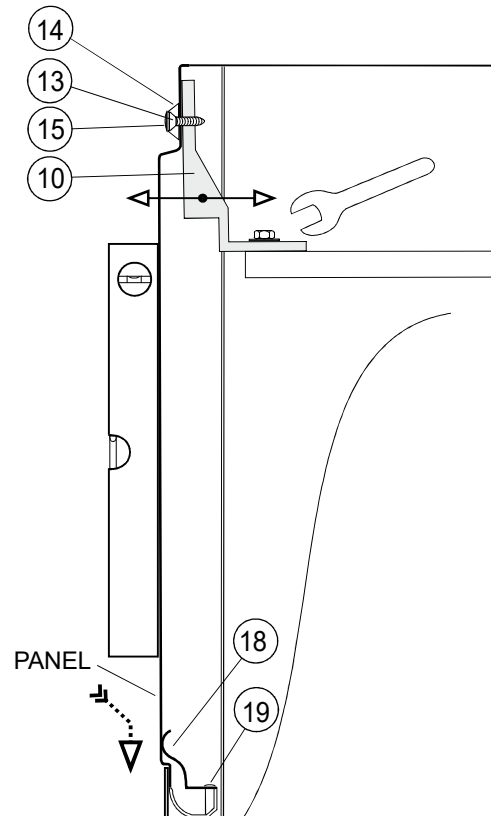


**METAL FRAME FOR RECTANGULAR BATHTUB
ASSEMBLY INSTRUCTIONS**



- ① Metal frame (1 pc.)
- ② Plastic foot L=80 mm (6 pcs.)
- ③* Thread rod M10x120 (2 pcs.)
- ③* Thread rod M10x150 (2 pcs.)
- ④ Thread rod M10x200 (4 pcs.)
- ⑤ Nut M10 (22 pcs.)
- ⑥ Metal column L=390 mm (4 pcs.)
- ⑦ Bolt M10x20 (4 pcs.)
- ⑧ Screw for wood 5,0x16 (8 pcs.)
- ⑨ Assembly plate w. threaded hole M10 (2 pcs.)
- ⑩ PVC panel holder (5 pcs.)
- ⑪ Bolt M6x16 (5 pcs.)
- ⑫ Washer M6 (5 pcs.)
- ⑬ Screw 4,8x19 (5 pcs.)
- ⑭ PVC washer (5 pcs.)
- ⑮ PVC cap (5 pcs.)
- ⑯ Elastic panel holder - corner (3 pcs.)
- ⑰ PVC extension for elastic holder (6 pcs.)
- ⑱ Elastic panel holder - straight (2 pcs.)
- ⑲ Screw 3,9x13 (4 pcs.)
- ⑳ Wall carrier (4 pcs.)
- ㉑ Screw 5x50 (8 pcs.)
- ㉒ PVC plug ø8 mm (8 pcs.)



* - for bathtubs deeper than 42 cm use shorter thread rod