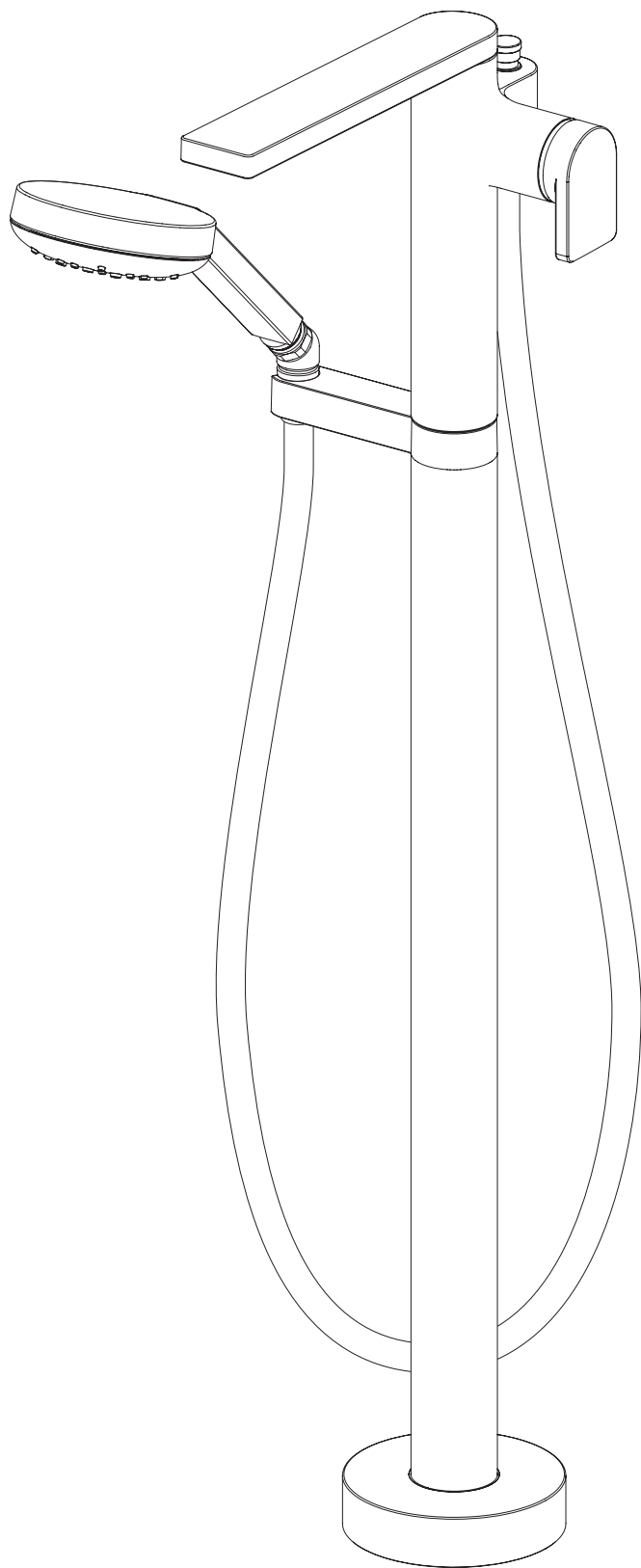
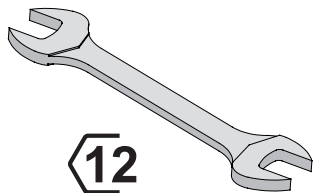
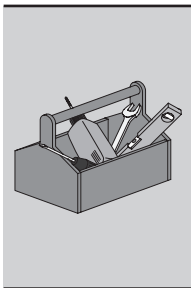


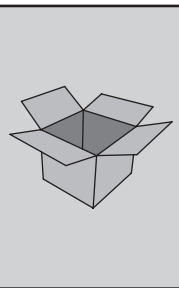
Jacob Delafon



COMPOSED

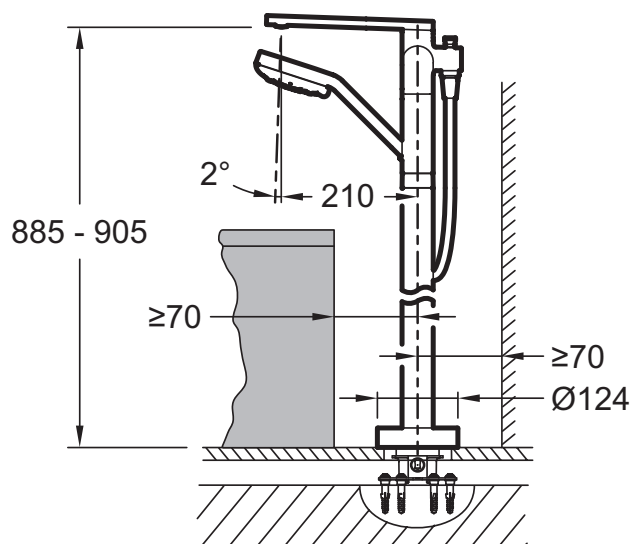
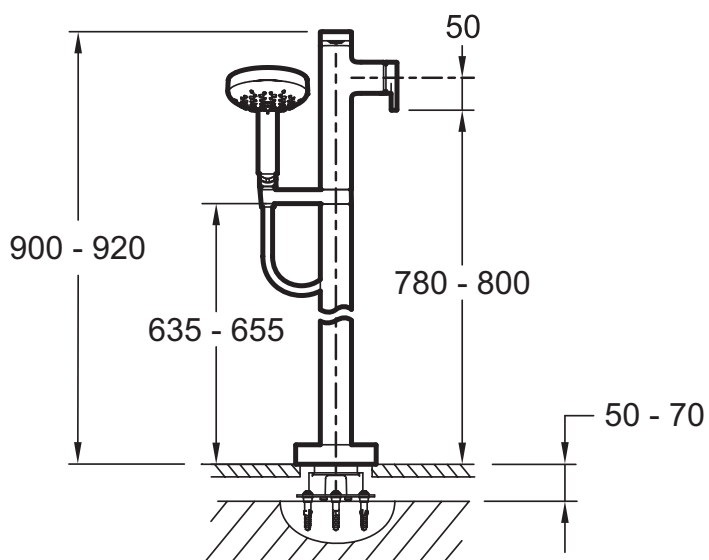


12



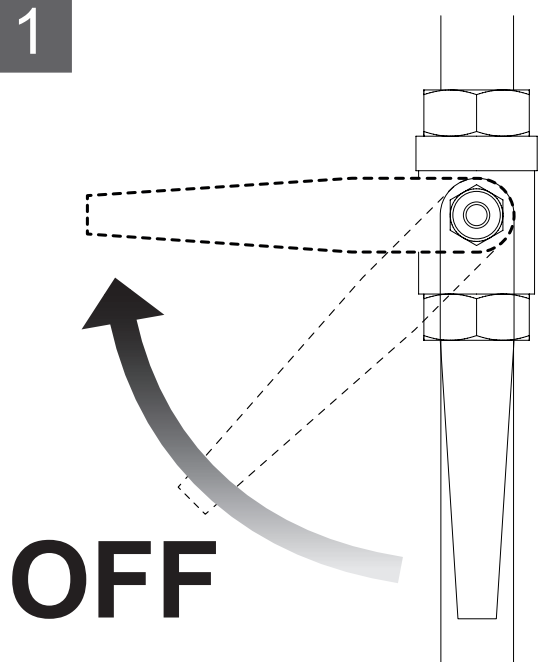
5 3
2.5

	Bar	0.5 < 3 < 6
	°C	55 < 60 < 65

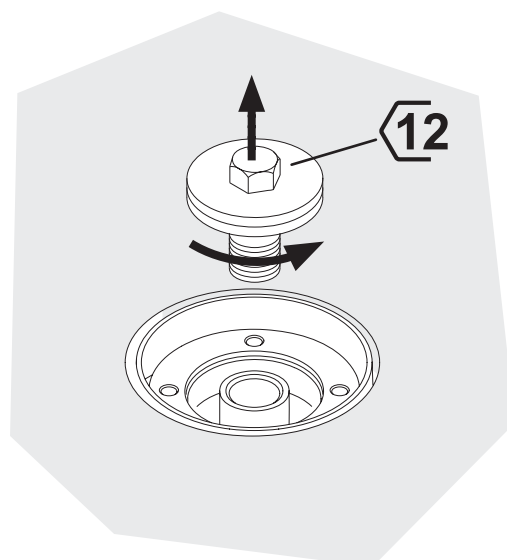


E73087-**

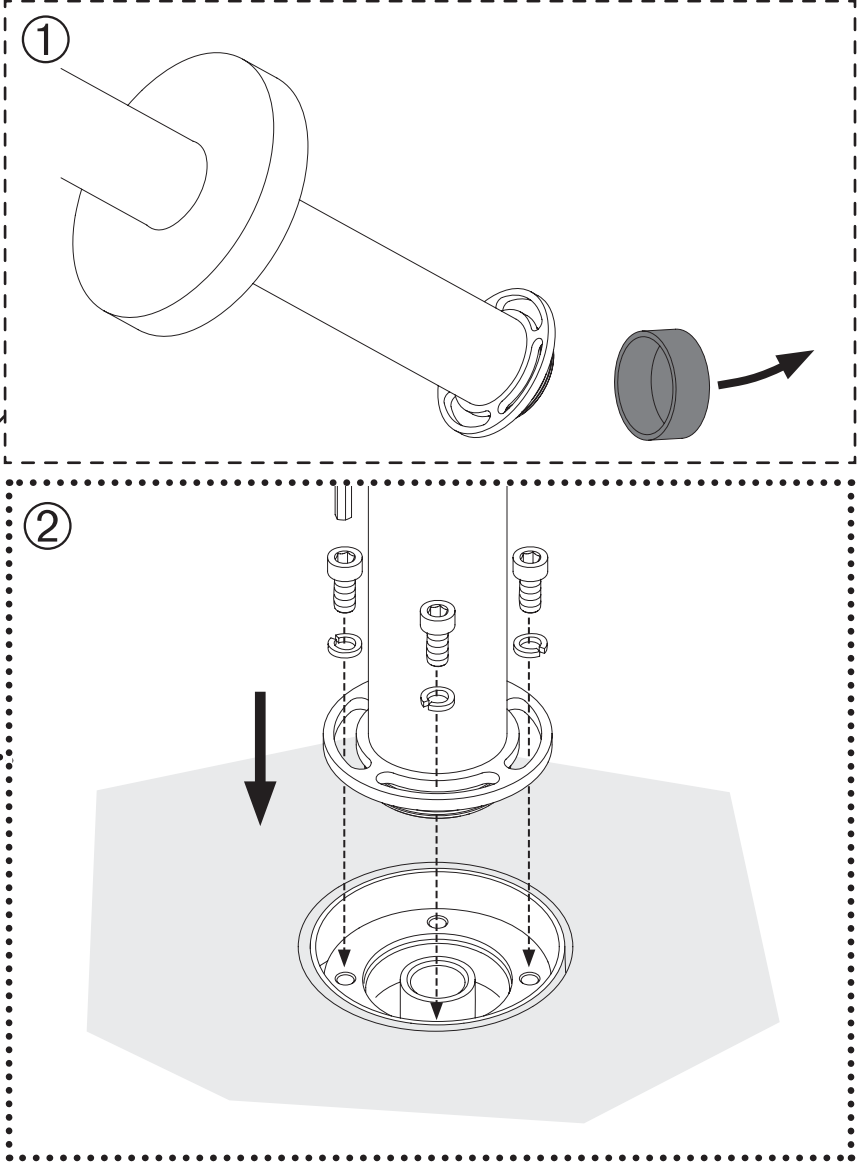
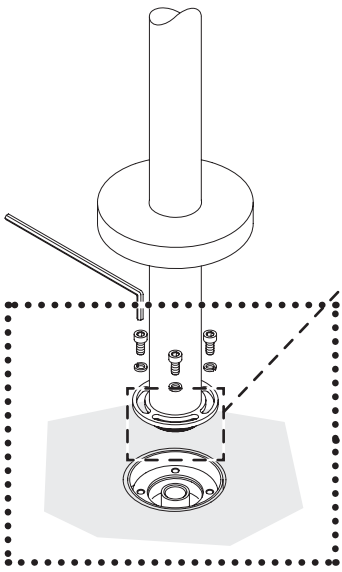
1



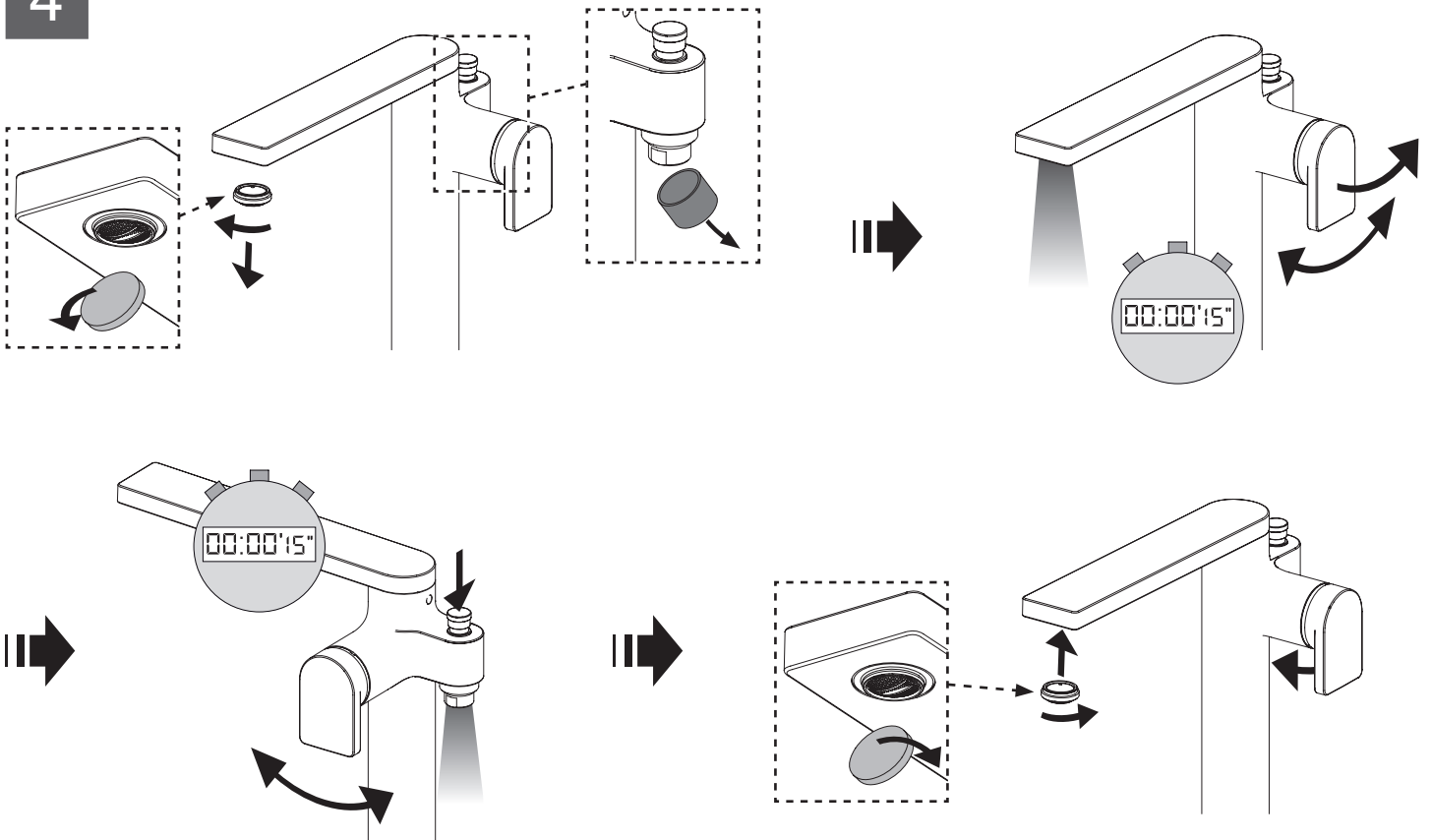
2



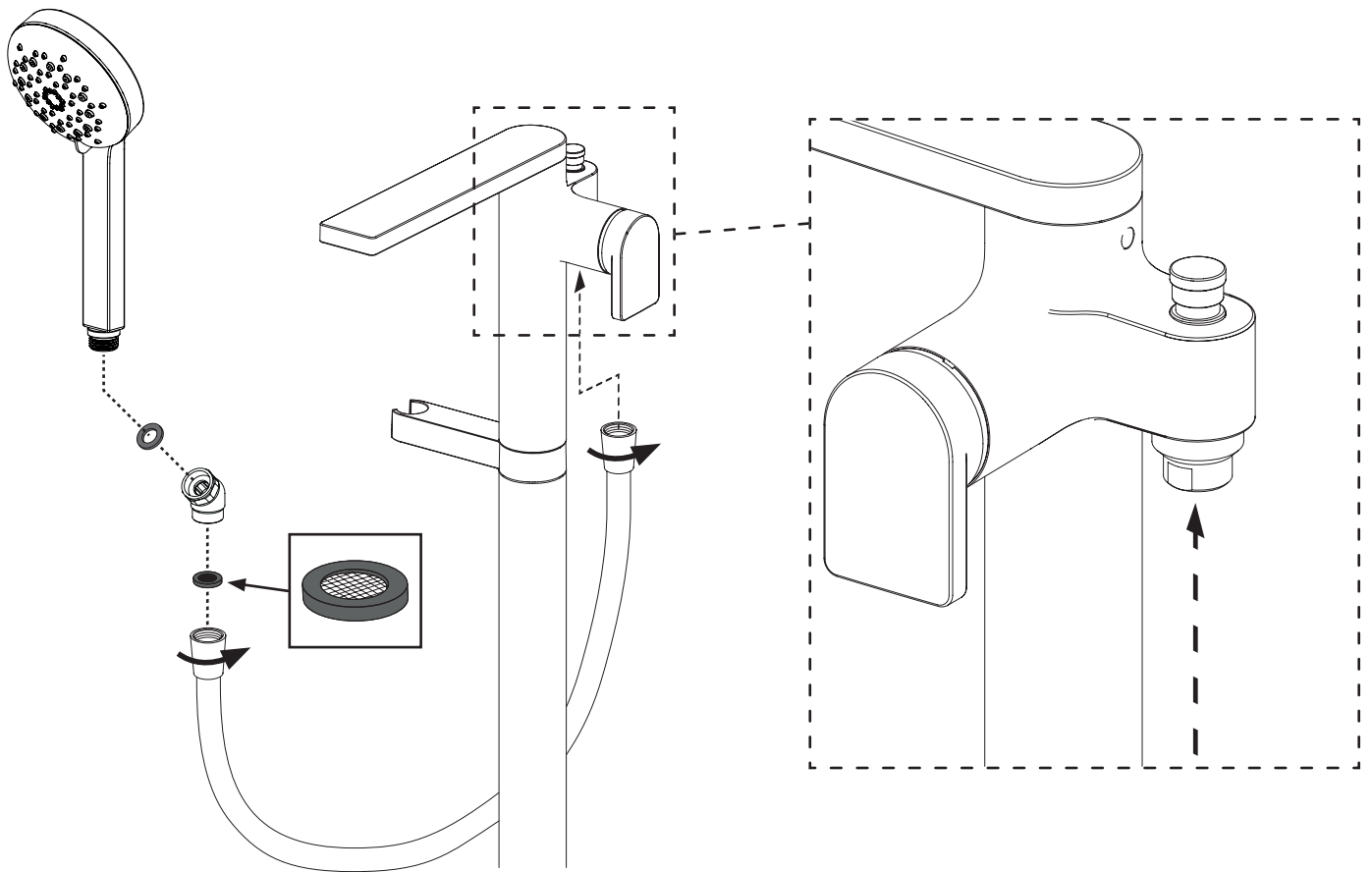
3



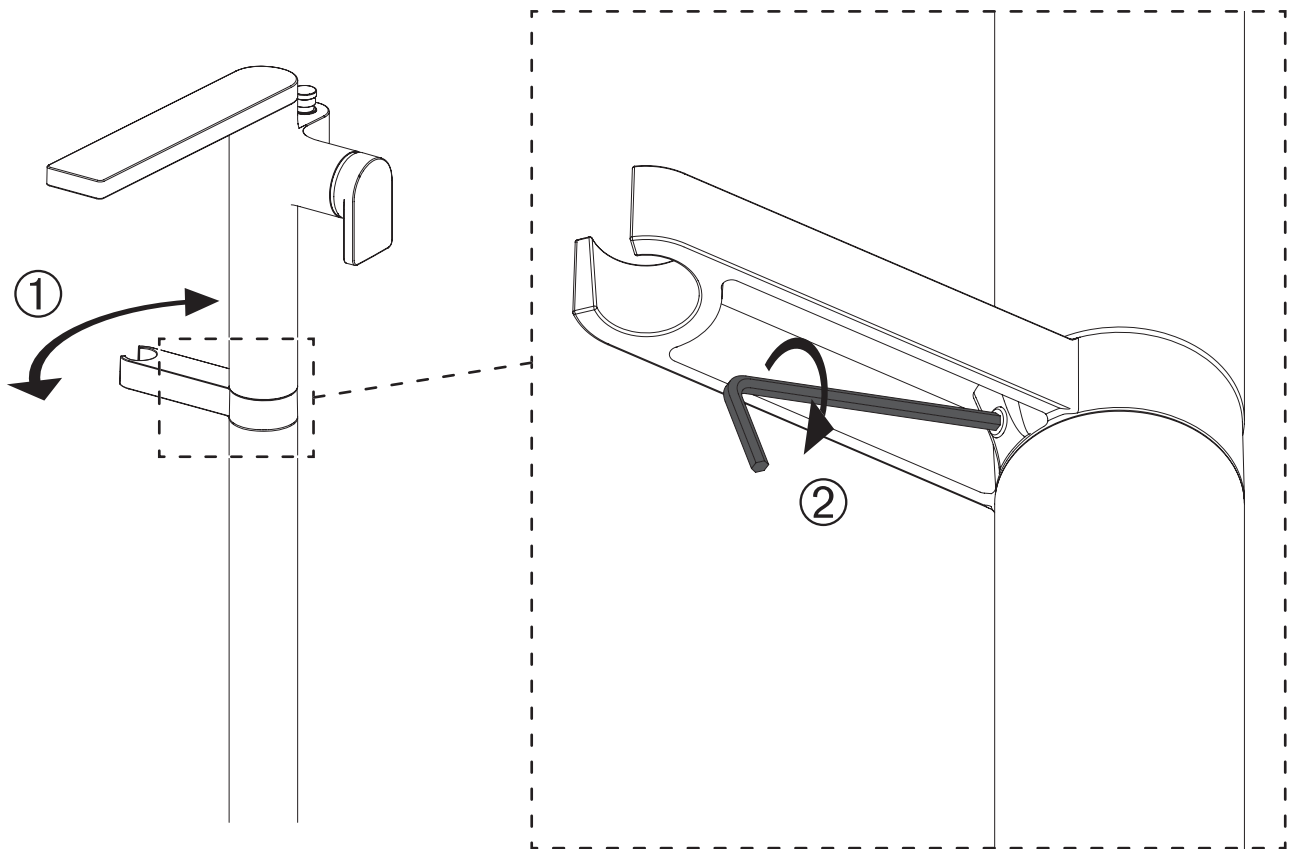
4

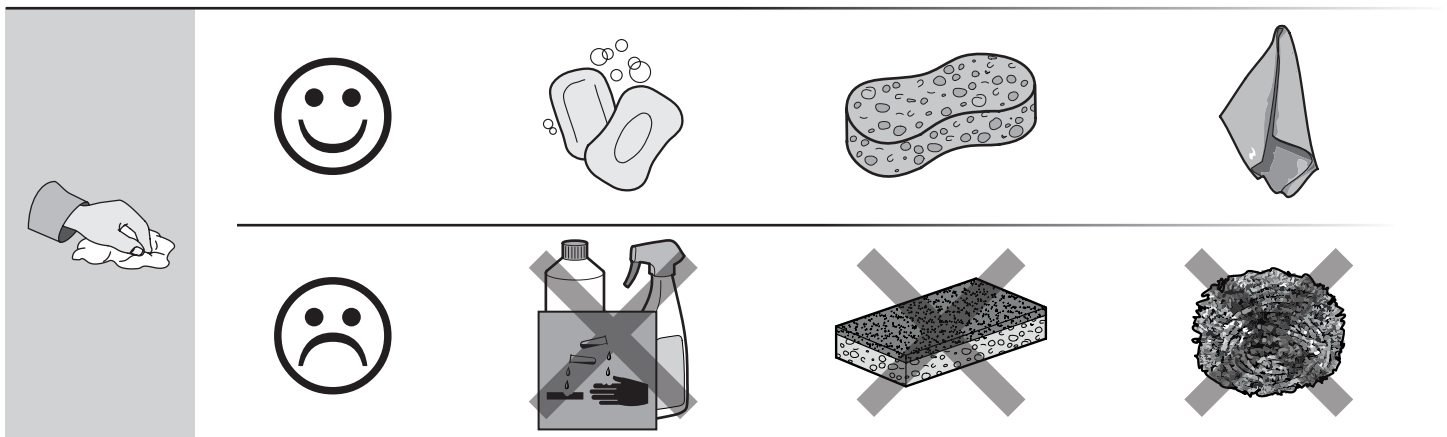
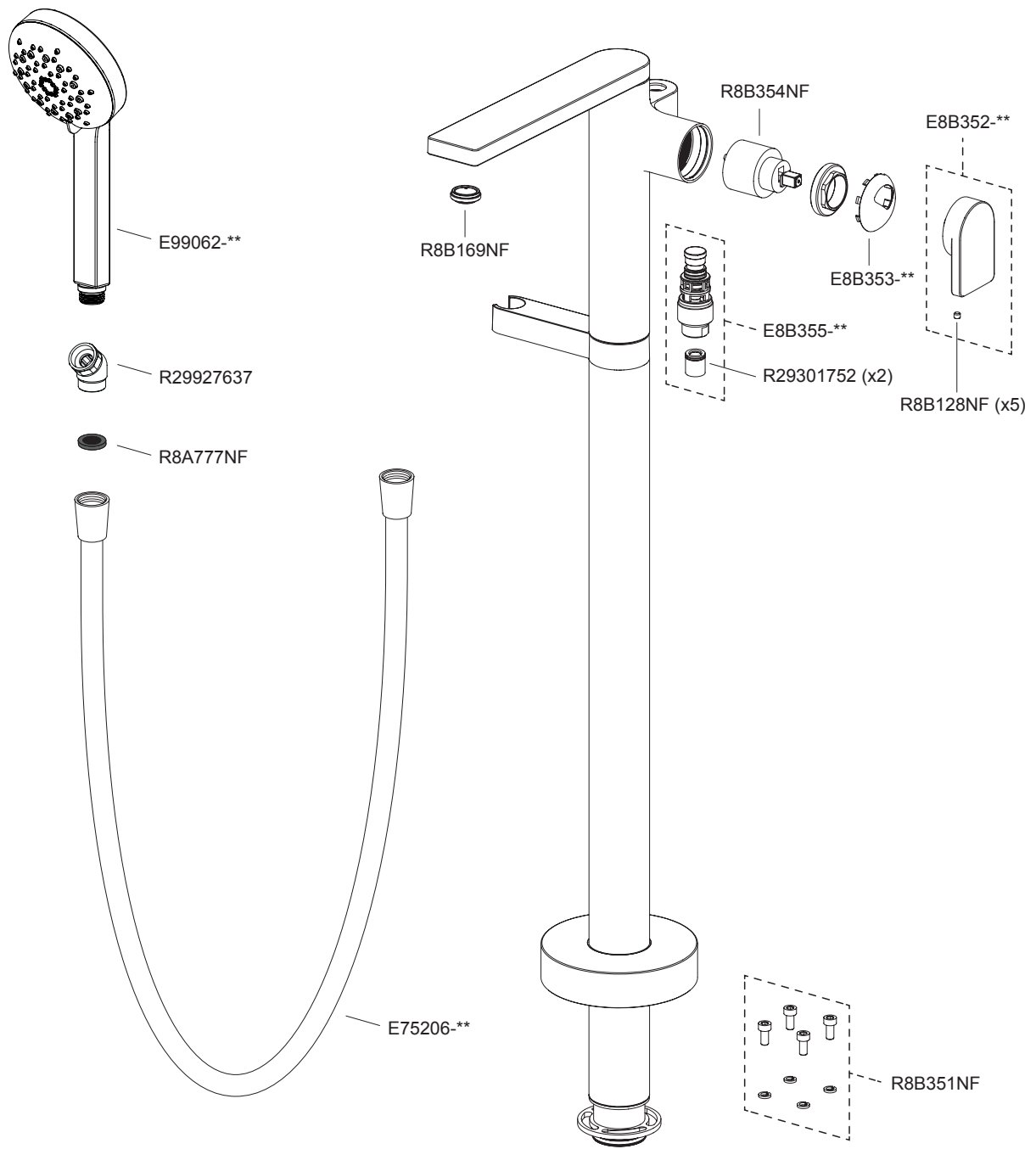


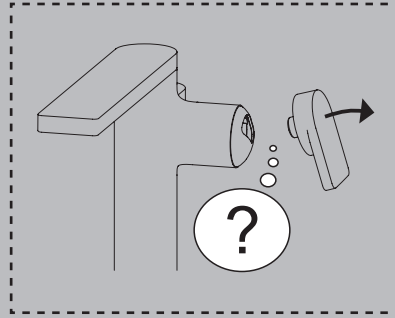
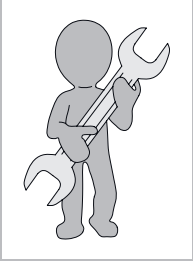
5



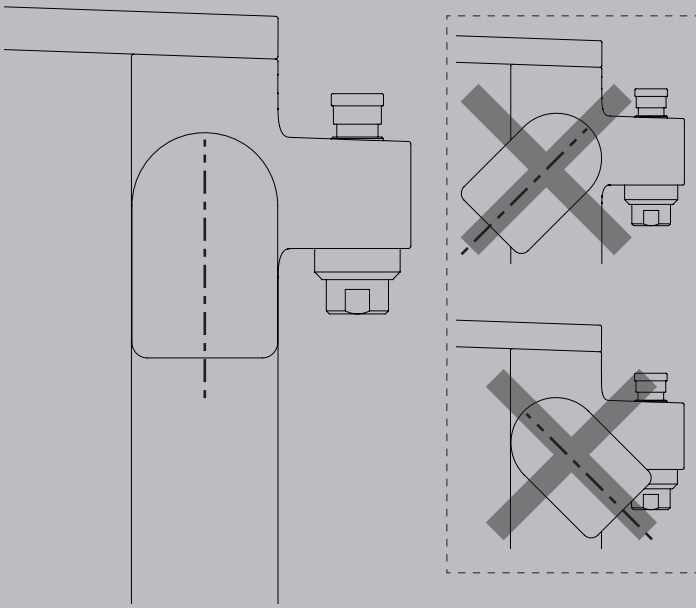
6



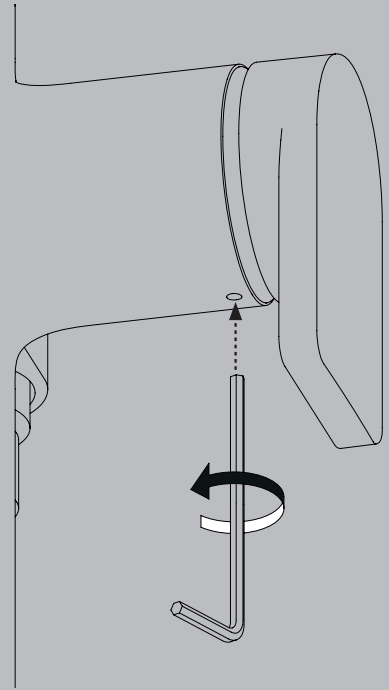




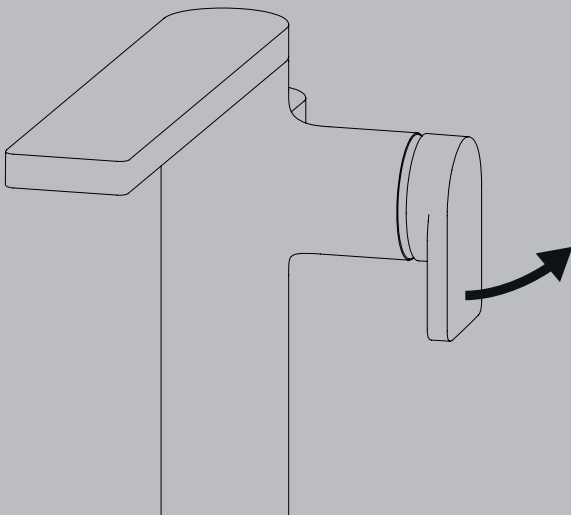
①



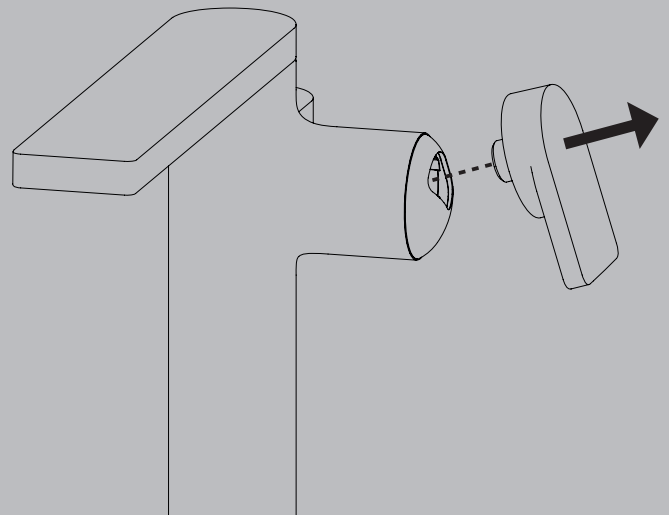
②



③



④



Jacob Delafon