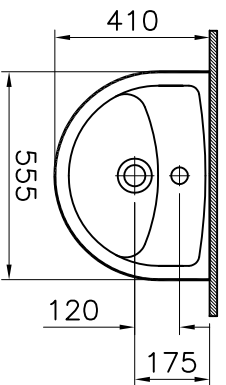
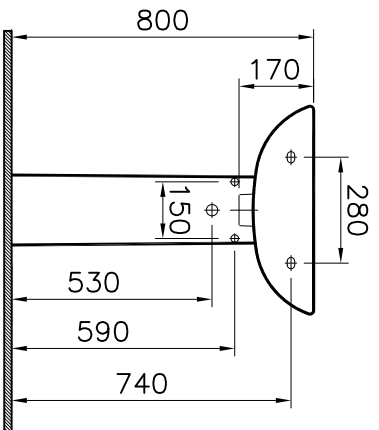
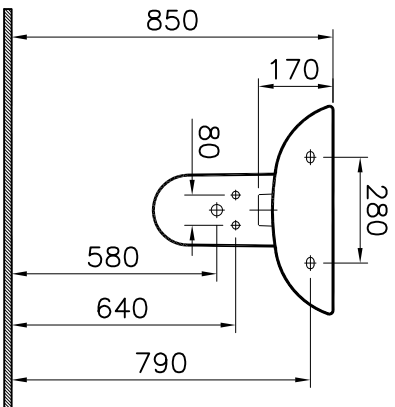
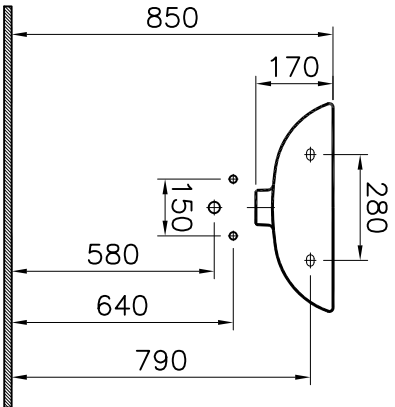


Theoretic Mass(kg)	Revision
Surface Area(dm ²)	A4

Thread	Hole	Shaft
--------	------	-------



Item	Quantity	Part Name	Drawing No	Material	Material Class
3	1	Pedestal	6936-0156	Ceramic	
2	1	Trap Cover	6998-0156	Ceramic	
1	1	Washbasin 55 cm	6994-0001	Ceramic	

<p>This drawing can only be used for the intended purpose. Unauthorised copying is strictly prohibited.</p>	
Series	Material
TOPARA	Washbasin 55 cm

Drawn By	Controlled By	Approved By	Date	Drawing No	Scale
B.SENYWA	O.KONEZ	B.TOPCU	08.11.2006	6894-6998-6936	1/20
Date	NAME				
10.12.2012	GOKHAN				
Description	Replaces drawing dated 12.09.2005				
RS					

4 3 2 1

A B C D A B C D

