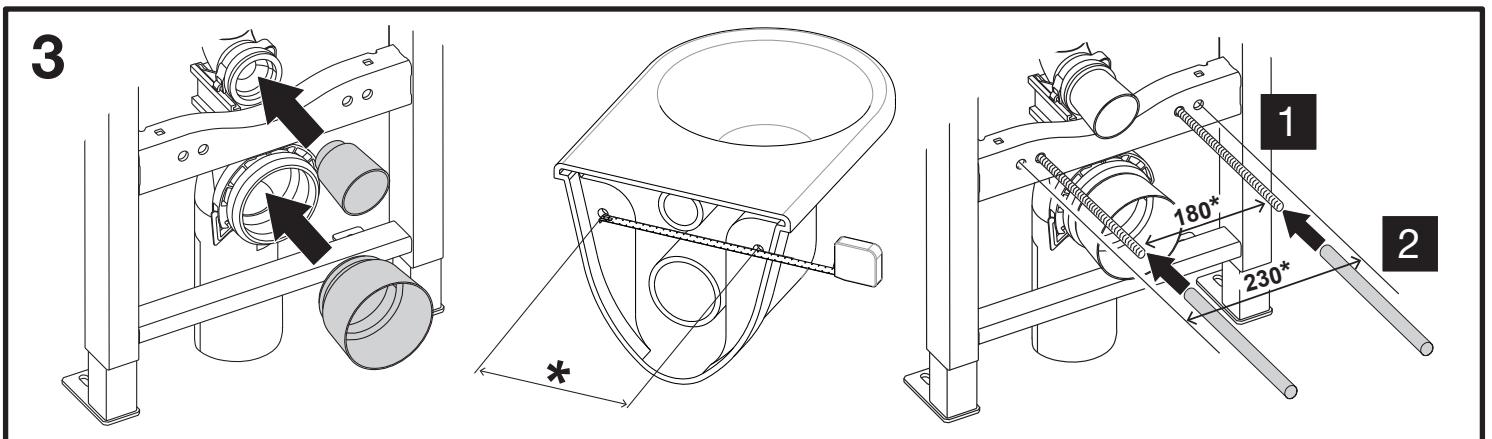
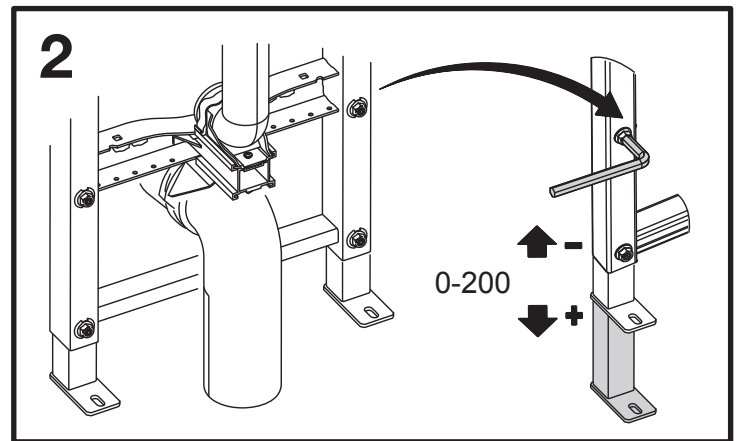
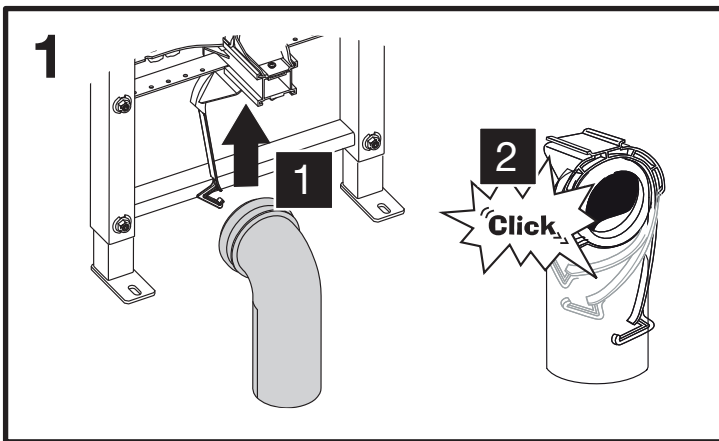
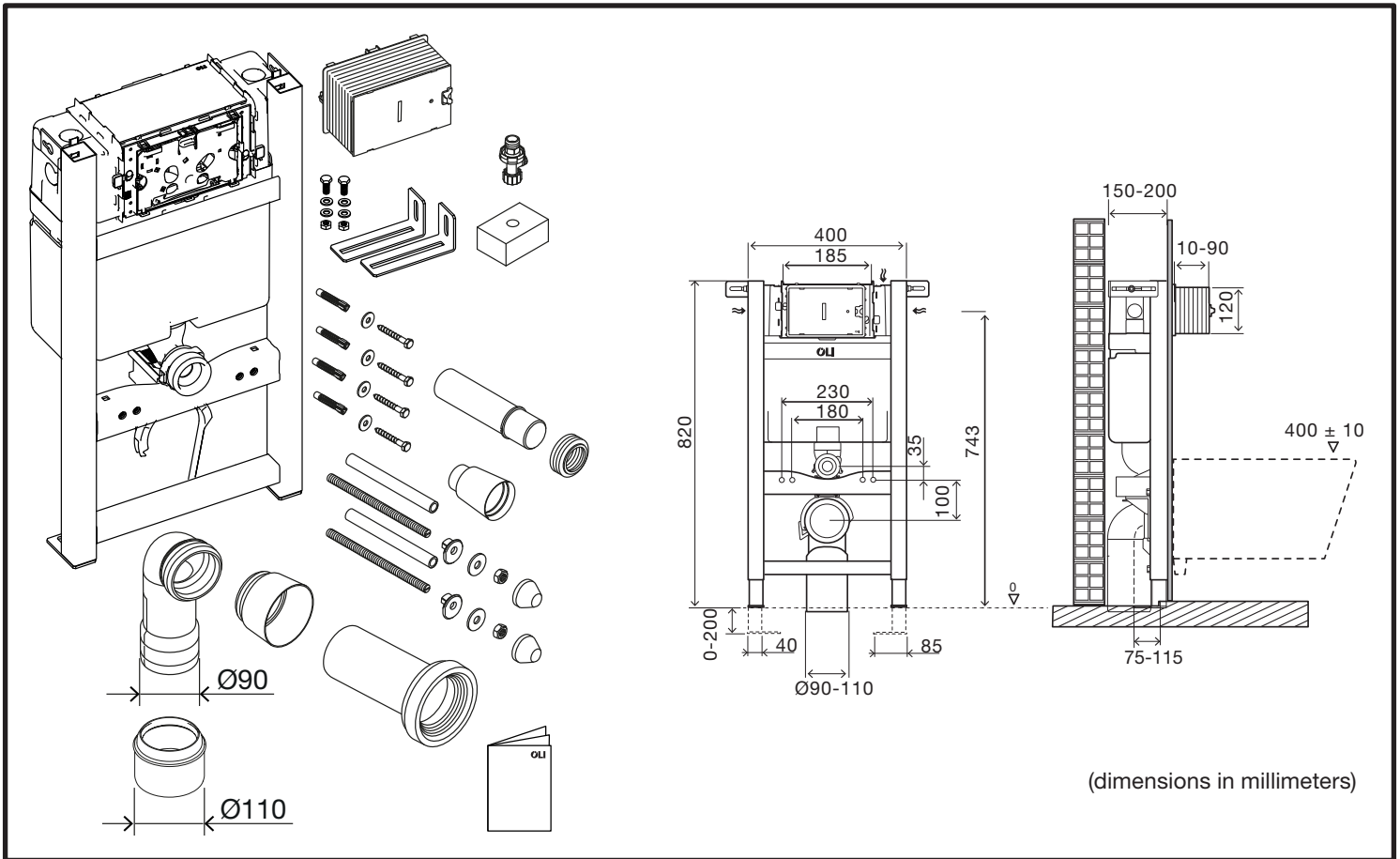
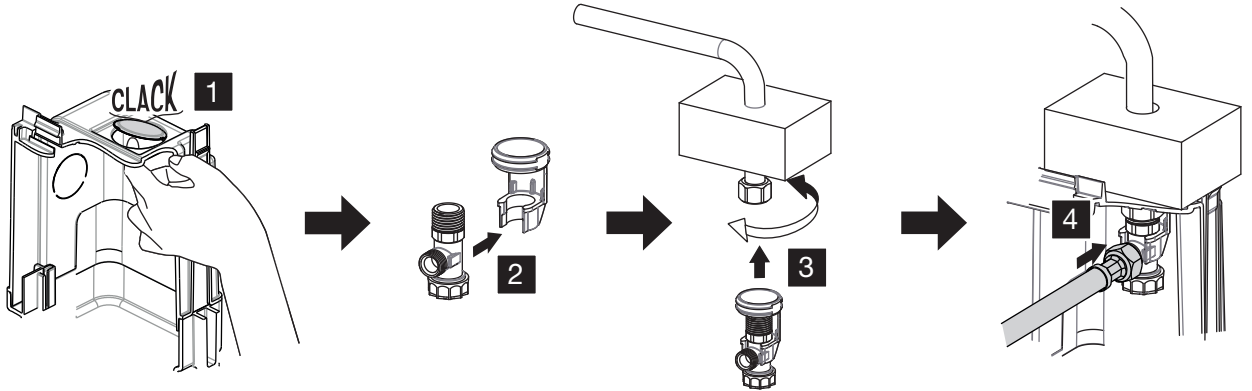
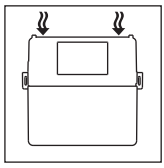


EXPERT PLUS

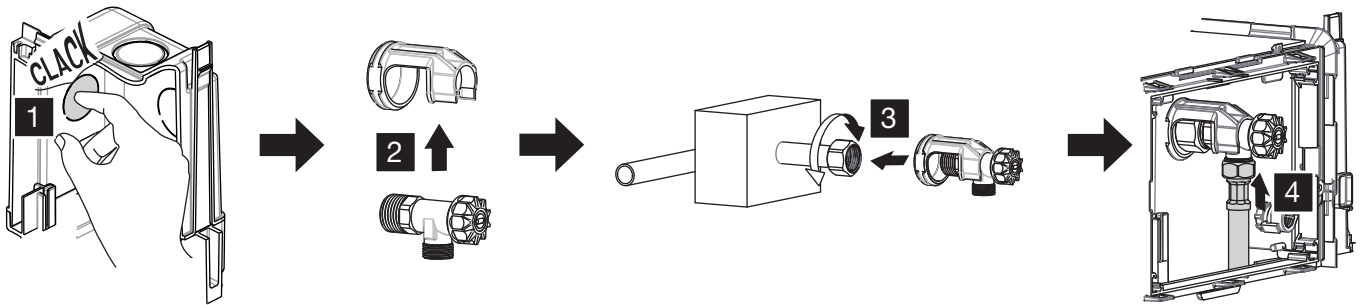
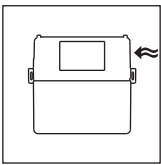
SANITARBLOCK



4A

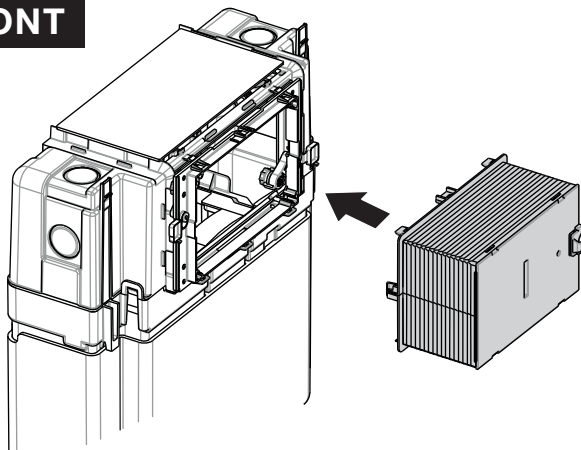


4B



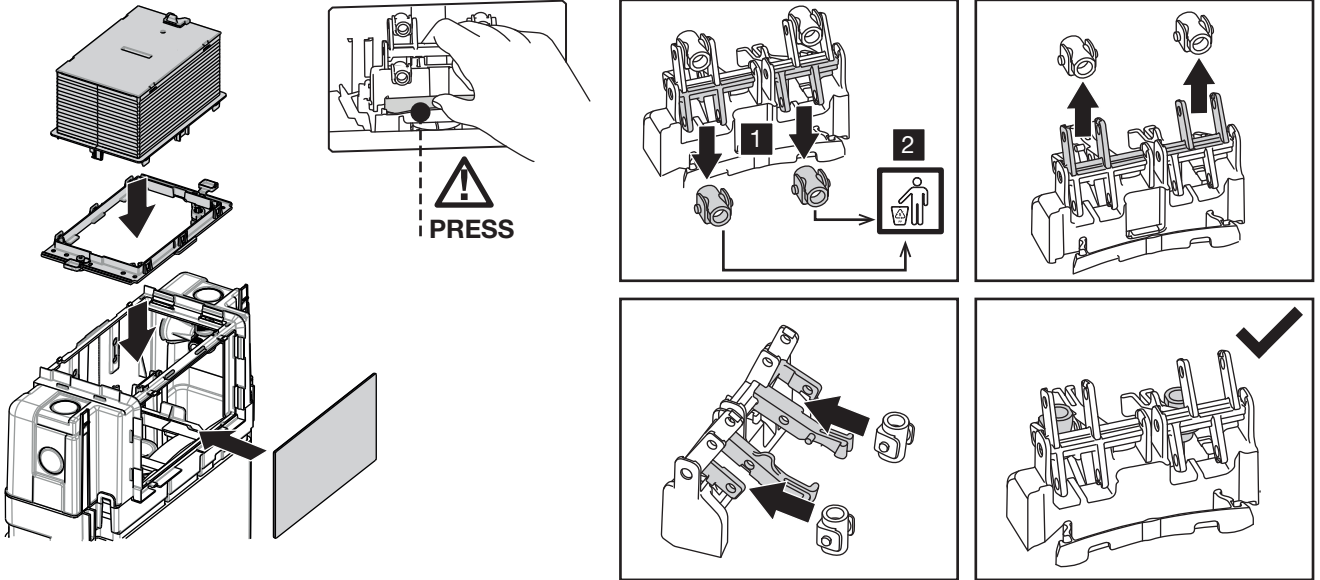
5

FRONT



5

TOP



6

