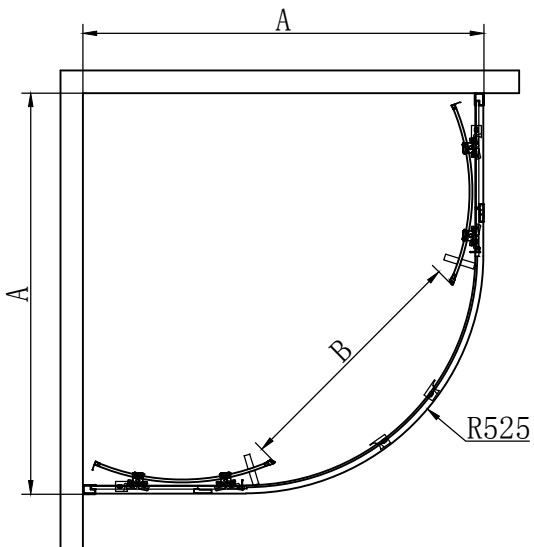
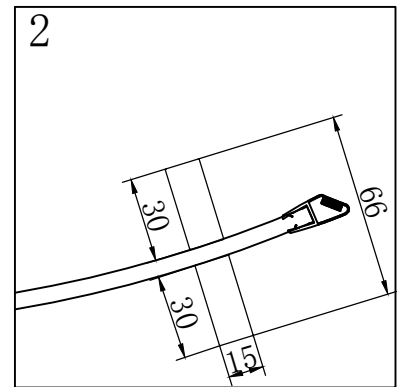
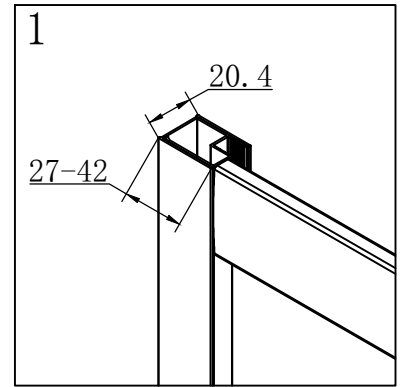
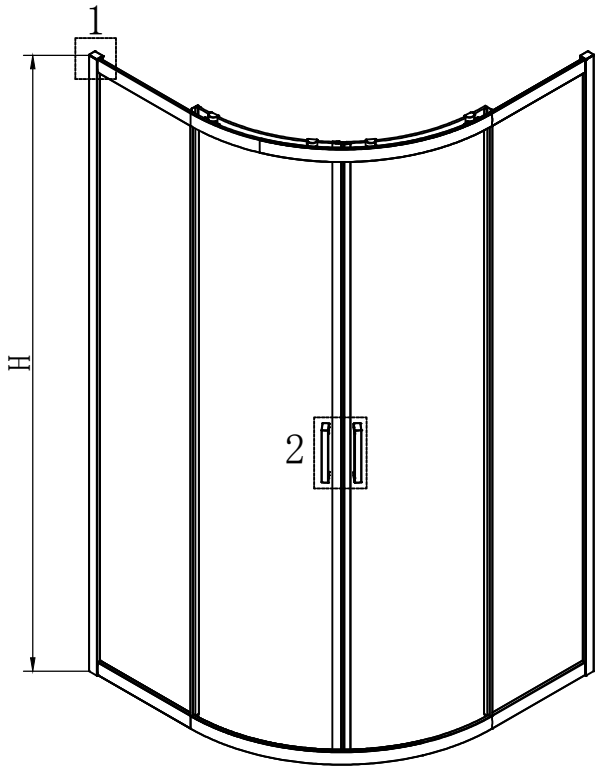


RGW CL-53



	A	B	H
800x800x1850	785-800	430±10	1850
900x900x1850	885-900	550±10	1850